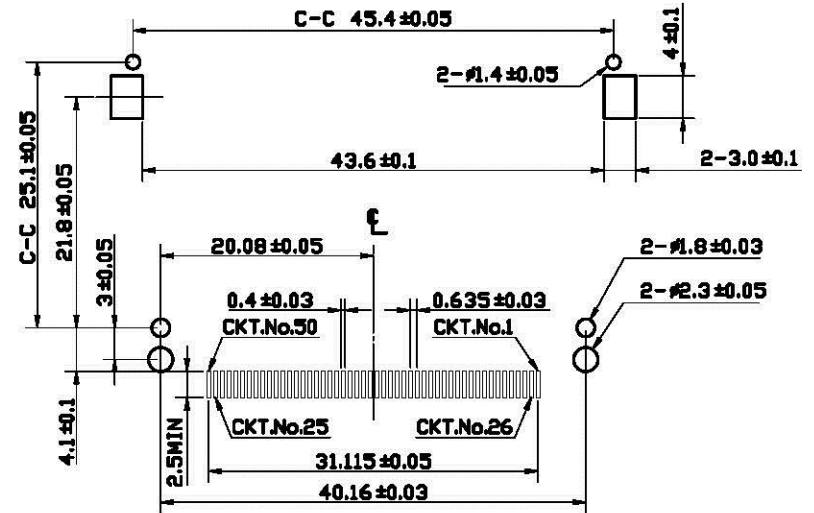
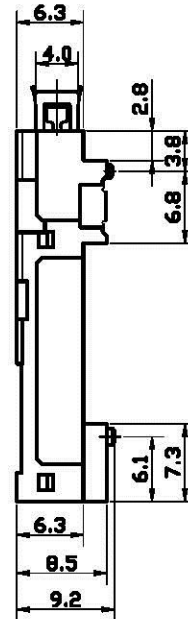
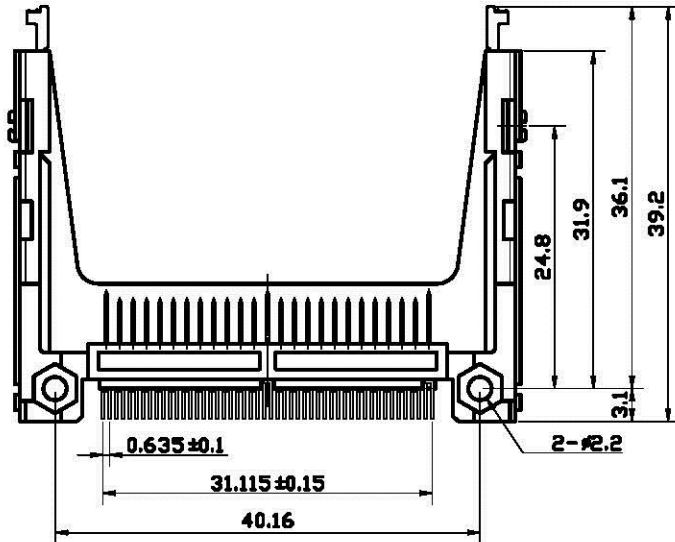
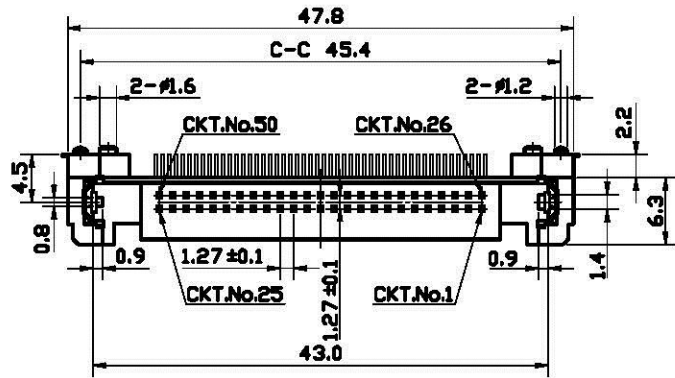
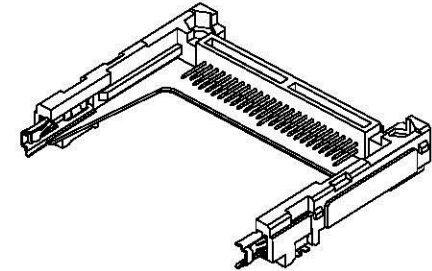


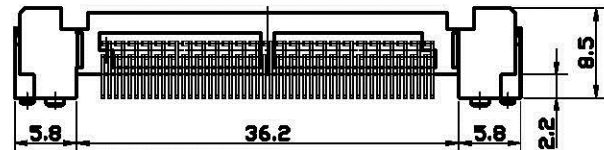
ORDERING INFORMATION

SERIES NO.	TYPE	HEADER TYPE	STAND OFF HEIGHT	CONTACT PLATING	ATTACHMENT
60	3	11	2	2	0
	3: MALE HEADER SMT Lead Free	01: TYPE I A 02: TYPE I AR 03: TYPE I B 04: TYPE I BR 10: TYPE II AR 11: TYPE II B 12: TYPE II BR	0: STAND OFF=0.0mm 2: STAND OFF=2.20mm	2: 5u" GOLD SELECTIVE OVER NICKEL PLATING	0: #N/A WITHOUT NUTS 1: #N/A WITH NUTS

NOTES:
MATERIAL
 Insulator: Glass Reinforced LCP UL94V-0
 Contacts: Brass Alloy
 Mount ear: Brass ; Tin plated overall
CONTACT PLATING
 Contact area: Gold plating over 40u" Nickel
 Solder tail area: 100u" tin plating over 40u" Nickel



RECOMMENDED P.C.B. LAYOUT



				GENERAL TOLERANCE DIMENSION: 0.0 ±0.5, ±0.3, ±0.2; .00 ±0.2 ANGLES: 0°, ±5° SCALE: N.S.T UNIT: mm		All Connectors www.allconnectors.de TEL: 0049 711 700502 70794 Ellersheim Germany		APPROVED ALBERT.LIU 02/18/'00 CHECKED ALBERT.LIU 02/18/'00 DRAWN ANNE.CHIU 02/18/'00		TITLE: CF CARD HEADER SMT 50P TYPE II (B) PART NO: 60311220 (Lead Free) REVISE ONLY ON CAD SYSTEM	
REV.	DESCRIPTION (ECN No)	DR.	CHK.	DATE	SCALE	UNIT	SIZE	REV.			
1				02/18/'00	N.S.T	mm	A4	A			