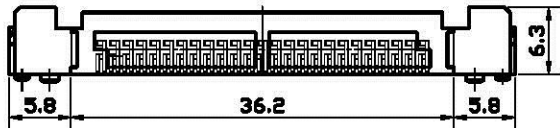
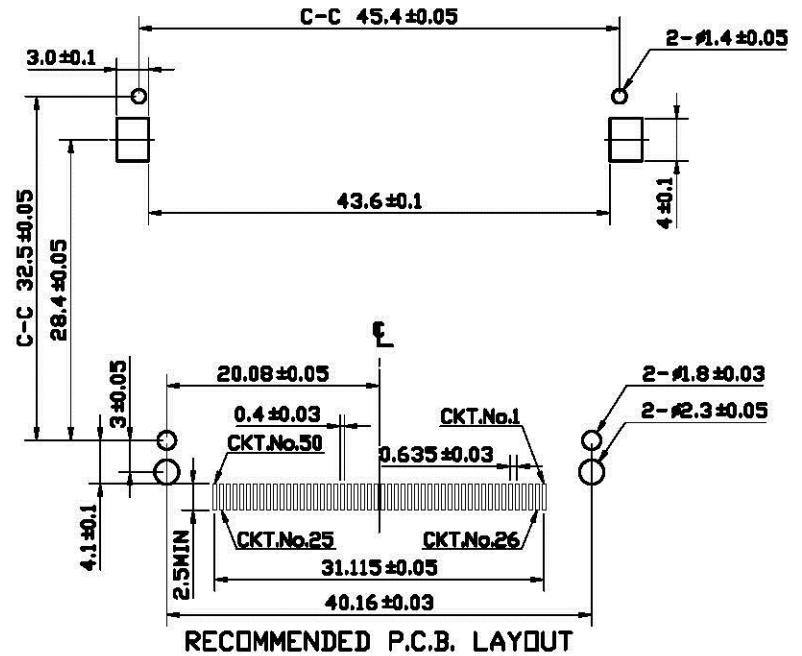
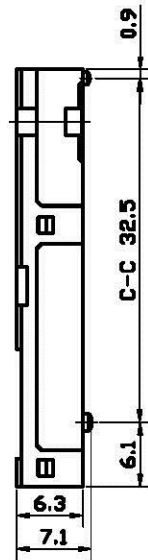
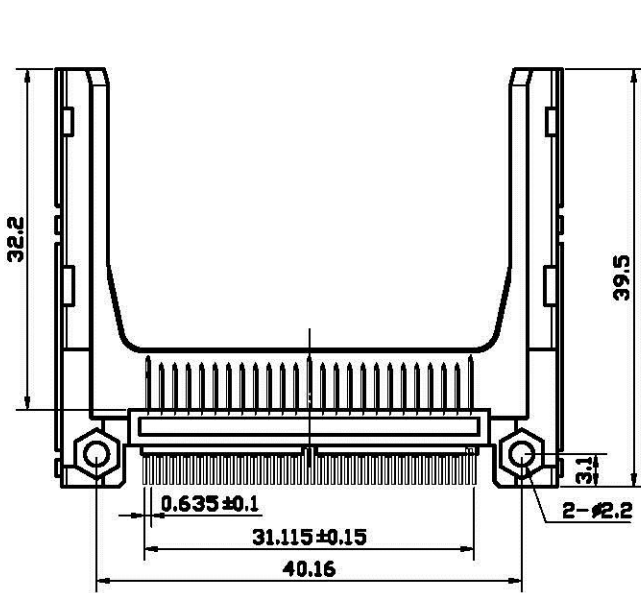
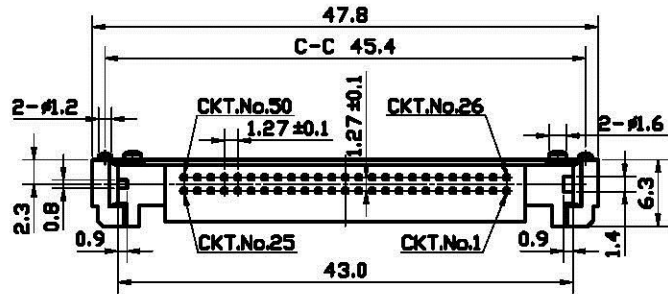
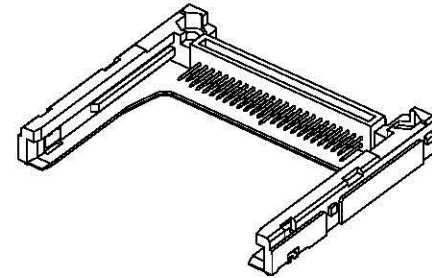


ORDERING INFORMATION

SERIES NO.	TYPE	HEADER TYPE	STAND OFF HEIGHT	CONTACT PLATING	ATTACHMENT
60	3	09	0	2	0
	3: MALE HEADER SMT Lead Free	01: TYPE I A 02: TYPE I AR 03: TYPE I B 04: TYPE I BR 09: TYPE II A 10: TYPE II AR 11: TYPE II B 12: TYPE II BR	0: STAND OFF=0.0mm	2: 5u" GOLD SELECTIVE OVER NICKEL PLATING	0: 0mm WITHOUT NUTS 1: 0mm WITH NUTS

NOTES:
MATERIAL
 Insulator: Glass Reinforced LCP UL94V-0
 Contacts: Brass Alloy
 Mount ear: Brass ; Tin plated overall
CONTACT PLATING
 Contact area: Gold plating over 40u" Nickel
 Solder tail area: 100u" tin plating over 40u" Nickel



				GENERAL TOLERANCE				APPROVED ALBERT.LIU 12/16/'99		TITLE: CF CARD HEADER	
RELEASE		12/16/'99		DIMENSION 0. ±0.5 .0 ±0.3 .00 ±0.2		ANGLES 0° ±3°		CHECKED ALBERT.LIU 12/16/'99		SMT 50P TYPE II (A)	
REV.		DESCRIPTION (ECN No)		SCALE: N.S.T		UNIT: mm		DRAWN ANNE.CHIU 12/16/'99		PART NO: 60309020 (Lead Free)	
										REV. A	
								SIZE A4		REVISE ONLY ON CAD SYSTEM	