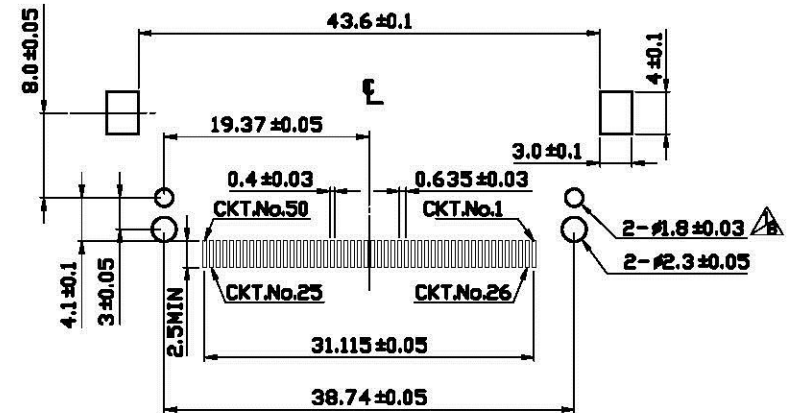
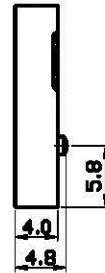
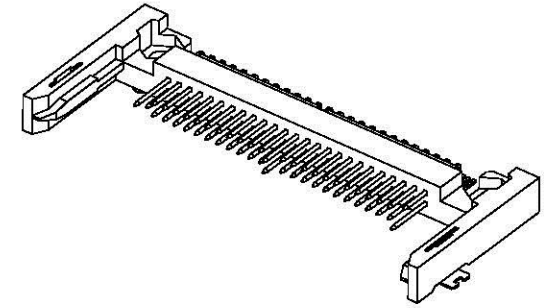


ORDERING INFORMATION

SERIES NO.	TYPE	HEADER TYPE	STAND OFF HEIGHT	CONTACT PLATING	ATTACHMENT
60	3	07	0	2	0
	3: MALE HEADER SMT Lead Free	01: TYPE I A 02: TYPE I AR 03: TYPE I B 04: TYPE I BR 05: TYPE I C 06: TYPE I CR 07: TYPE I D 08: TYPE I DR 09: TYPE II A 10: TYPE II B	0: STAND OFF=0.0mm	2: 5u" GOLD SELECTIVE OVER NICKEL PLATING	0: #0 WITHOUT NUTS 1: #0 WITH NUTS

NOTES:
 MATERIAL
 Insulator: Glass Reinforce LCP UL94V-0
 Contacts: Brass Alloy
 Mount ear: Brass ; Tin plated overall
 CONTACT PLATING
 Contact area: Gold plating over 40u" Nickel
 Solder tail area: 100u" tin plating over 40u" Nickel



RECOMMENDED P.C.B. LAYOUT

ECN 960101 RELEASE		01/08/07 06/01/04		GENERAL TOLERANCE DIMENSION: 0.0 ± 0.5, ± 0.3, ± 0.2; .00 ± 0.2 ANGLES: 0° ± 3° SCALE: N.S.T UNIT: mm		 www.allconnectors.de Tel: 0049 711 7009400 70724 Ebersfeld - Germany		APPROVED: ALBERT.LIU 06/01/04 CHECKED: ALBERT.LIU 06/01/04 DRAWN: CHIANG.CHANG 06/01/04 SIZE: A4 REV: A		TITLE: CF CARD HEADER SMT 50P TYPE I (D) PART NO: 60307020 (Lead Free) REVISE ONLY ON CAD SYSTEM	
REV.	DESCRIPTION (ECN No)	DR.	CHK.	DATE	SCALE	UNIT					