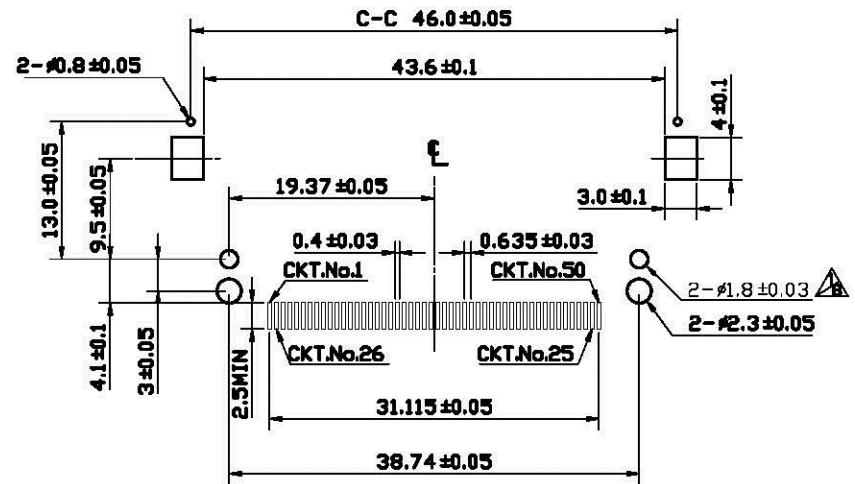
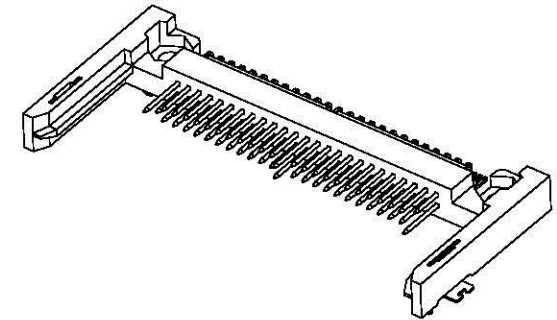


ORDERING INFORMATION

SERIES NO.	TYPE	HEADER TYPE	STAND OFF HEIGHT	CONTACT PLATING	ATTACHMENT
60	3	06	0	2	0
	3: MALE HEADER SMT Lead Free	01: TYPE I A 02: TYPE I AR 03: TYPE I B 04: TYPE I BR 05: TYPE I CR 06: TYPE I DR 07: TYPE I A 08: TYPE I AR 09: TYPE I B 10: TYPE I BR 11: TYPE I CR	0: STAND OFF=0.0mm	2: 5u" GOLD SELECTIVE OVER NICKEL PLATING	0: #06 WITHOUT NUTS 1: #06 WITH NUTS

NOTES:
MATERIAL
 Insulator: Glass Reinforce LCP UL94V-0
 Contacts: Brass Alloy
 Mount ear: Brass ; Tin plated overall
CONTACT PLATING
 Contact area: Gold plating over 40u" Nickel
 Solder tail area: 100u" tin plating over 40u" Nickel



RECOMMENDED P.C.B. LAYOUT

ECN 960101 RELEASE		A.L. 01/08/07 A.L. 06/01/04		GENERAL TOLERANCE DIMENSION: 0.0 ±0.5, ±0.3, ±0.2 ANGLES: 0° ±3° SCALE: N.S.T UNIT: mm		All Connectors www.allconnectors.de Tel.: 0049 711 7095108 70794 Filzstätt, Germany		APPROVED: ALBERT.LIU 06/01/04 CHECKED: ALBERT.LIU 06/01/04 DRAWN: CHIANG.CHANG 06/01/04 SIZE: A4 REV: A		TITLE: CF CARD HEADER SMT 50P TYPE I (CR) PART NO: 60308020 (Lead Free) REVISE ONLY ON CAD SYSTEM	
REV.	DESCRIPTION (ECN No)	DR.	CHK.	DATE	SCALE	UNIT					