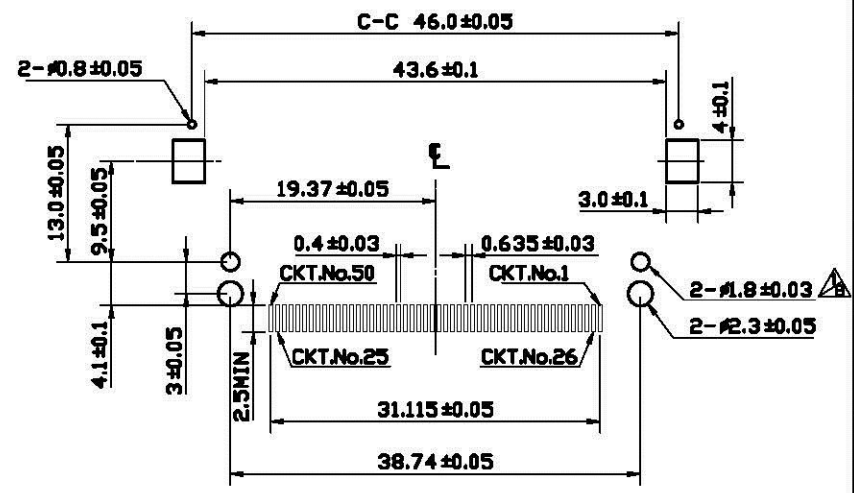
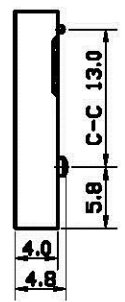
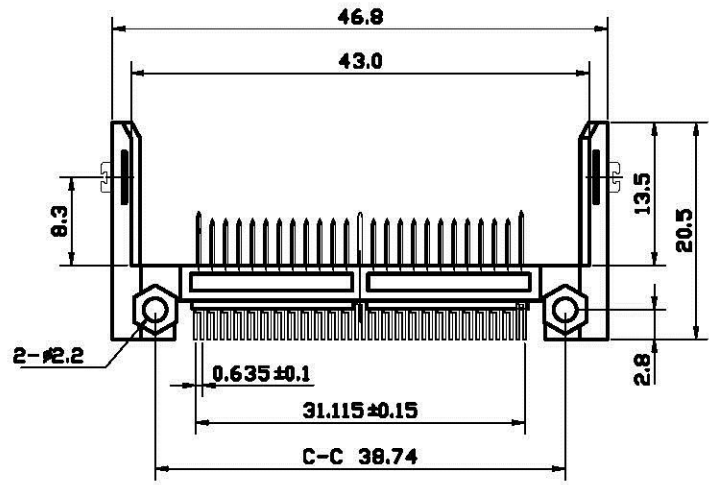
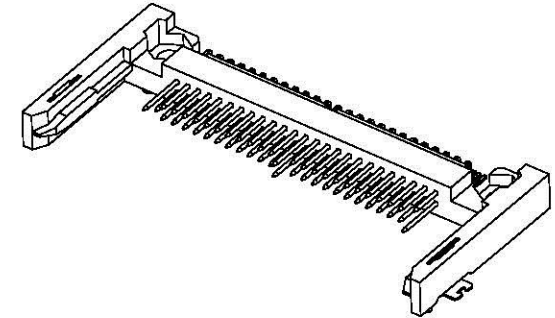


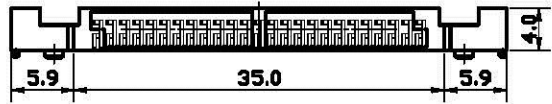
ORDERING INFORMATION

SERIES NO.	TYPE	HEADER TYPE	STAND OFF HEIGHT	CONTACT PLATING	ATTACHMENT
60	3	05	0	2	0
3: MALE HEADER SMT Lead Free		01: TYPE I A 02: TYPE I AR 03: TYPE I B 04: TYPE I BR 05: TYPE I C 06: TYPE I CR 07: TYPE I D 08: TYPE I DR 09: TYPE II A 10: TYPE II B	0: STAND OFF=0.0mm	2: 5u" GOLD SELECTIVE OVER NICKEL PLATING	0: #06 WITHOUT NUTS 1: #06 WITH NUTS

NOTES:
MATERIAL
 Insulator: Glass Reinforce LCP UL94V-0
 Contacts: Brass Alloy
 Mount ear: Brass ; Tin plated overall
CONTACT PLATING
 Contact area: Gold plating over 40u" Nickel
 Solder tail area: 100u" tin plating over 40u" Nickel



RECOMMENDED P.C.B. LAYOUT



ECN 960101 RELEASE		Aerial AL 01/08/07 AC AL 06/01/04		GENERAL TOLERANCE DIMENSION: 0.0 ± 0.5, ± 0.3, ± 0.2 ANGLES: 0°, ± 3° SCALE: N.S.T UNIT: mm		Allconnectors www.allconnectors.de Tel: +049 711 700500 10734 Plohnstadt - Germany		APPROVED ALBERT.LIU 06/01/04 CHECKED ALBERT.LIU 06/01/04 DRAWN CHIANG.CHANG 06/01/04 SIZE A4 REV. A		TITLE: CF CARD HEADER SMT 50P TYPE I (C) PART NO: 60305020 (Lead Free) REVISE ONLY ON CAD SYSTEM	
REV.	DESCRIPTION (ECN No)	DR.	CHK.	DATE	SCALE	UNIT					