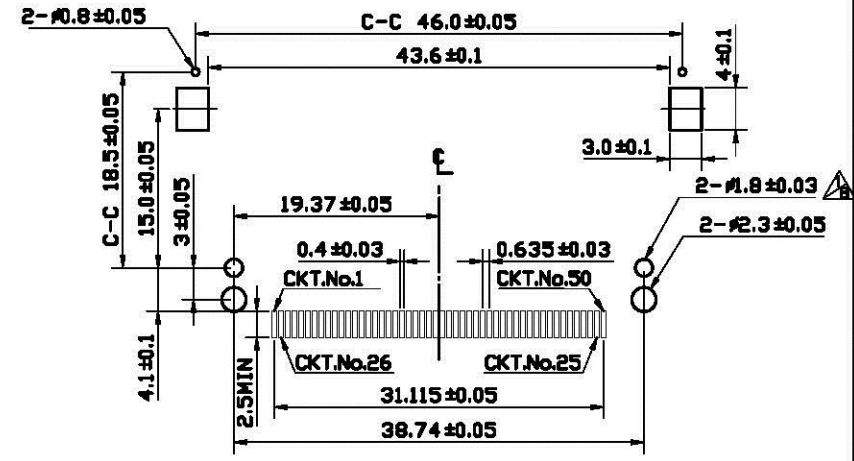
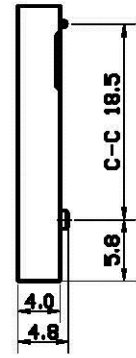
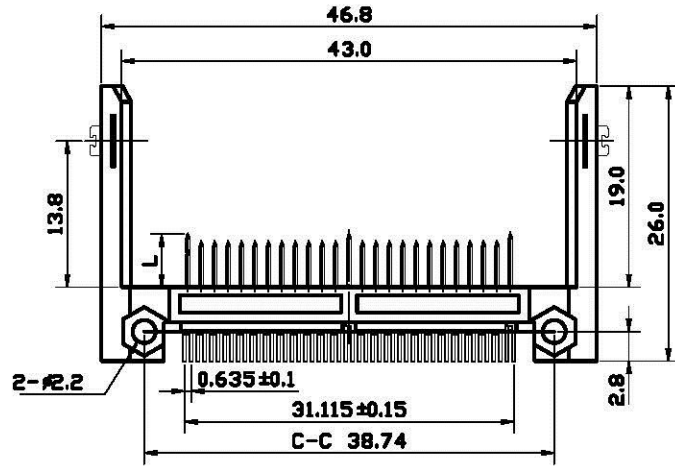
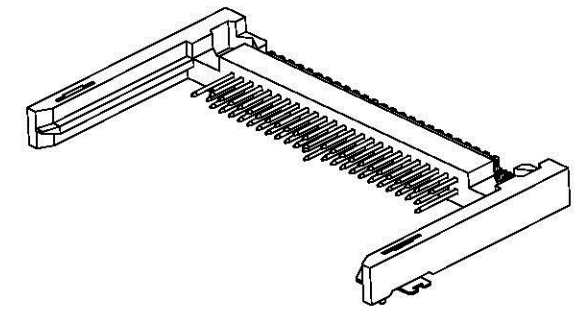


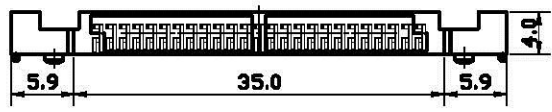
ORDERING INFORMATION

SERIES NO. 60	TYPE 3 3: MALE HEADER SMT Lead Free	HEADER TYPE 04 01: TYPE I A 02: TYPE I AR 03: TYPE I B 04: TYPE I BR 08: TYPE II A 11: TYPE II B	STAND OFF HEIGHT 0 0: STAND OFF=0.0mm	CONTACT PLATING 2 2: 5u" GOLD SELECTIVE OVER NICKEL PLATING	ATTACHMENT 0 0: ## WITHOUT NUTS 1: ## WITH NUTS
-------------------------	---	--	--	---	---

NOTES:
MATERIAL
 Insulator: Glass Reinforced LCP UL94V-0
 Contacts: Brass Alloy
 Mount ear: Brass ; Tin plated overall
CONTACT PLATING
 Contact area: Gold plating over 40u" Nickel
 Solder tail area: 100u" tin plating over 40u" Nickel



RECOMMENDED P.C.B. LAYOUT



Circuit No.	Dimension L mm
1, 13, 38, 50,	5.0±0.1
2 to 12, 14 to 24, 27 to 37, 39 to 49,	4.25±0.1
25, 26,	3.5±0.1

 	ECN 960101	AL AL 01/08/07 AC AL 06/01/04 DR CHK. DATE	GENERAL TOLERANCE DIMENSION ANGLES 0. ±0.5 .0 ±0.3 .00 ±0.2		All Connectors www.allconnectors.de info@allconnectors.de Tel: +49 211 309290 Fax: +49 211 309294 70734 Ditzendorf - Germany Germany 35	APPROVED ALBERT.LIU 06/01/04 CHECKED ALBERT.LIU 06/01/04 DRAWN CHIAMING.CHANG 06/01/04	TITLE: CF CARD HEADER (LFS) SMT 50P TYPE I (BR)					
	REV.		DESCRIPTION (ECN No)	SCALE: N.S.T		UNIT: mm	PART NO: 60304020 (Lead Free) REV. A SIZE A4	REVISE ONLY ON CAD SYSTEM				
	1		2	3		4	5	6	7	8	9	10
	APPROVED ALBERT.LIU 06/01/04 CHECKED ALBERT.LIU 06/01/04 DRAWN CHIAMING.CHANG 06/01/04 TITLE: CF CARD HEADER (LFS) SMT 50P TYPE I (BR) PART NO: 60304020 (Lead Free) REV. A SIZE A4 REVISE ONLY ON CAD SYSTEM											