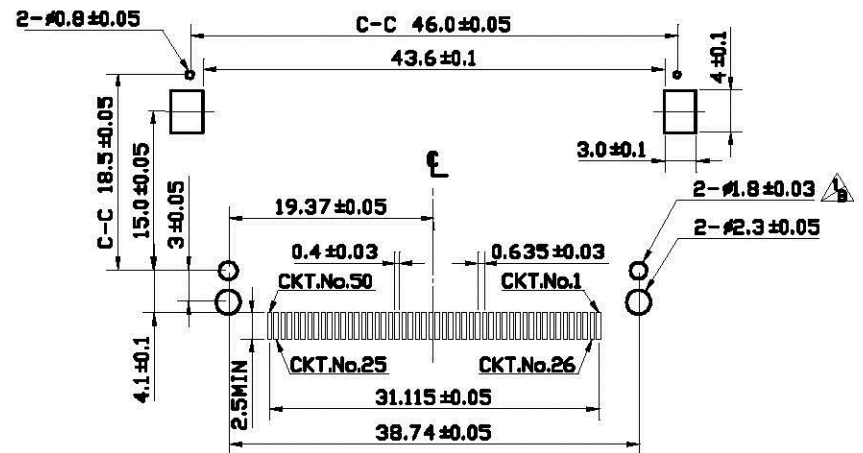
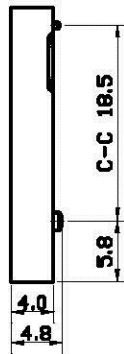
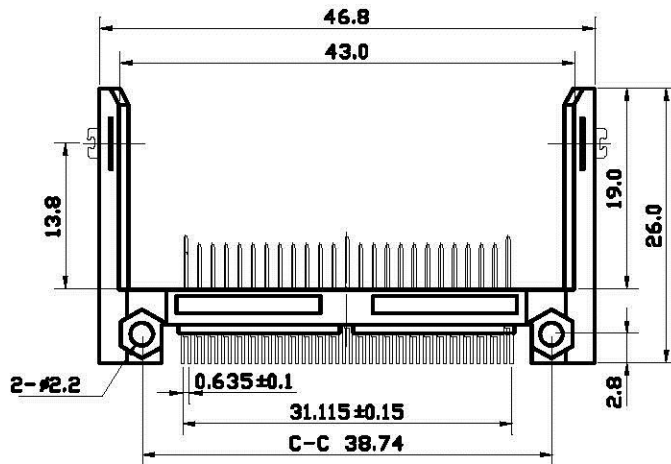
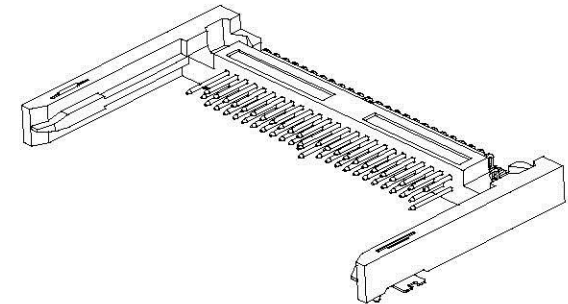


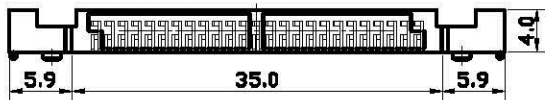
### ORDERING INFORMATION

SERIES NO.	TYPE	HEADER TYPE	STAND OFF HEIGHT	CONTACT PLATING	ATTACHMENT
60	3	03	0	2	0
	3: MALE HEADER SMT Lead Free	01: TYPE I A 02: TYPE I AR 03: TYPE I B 04: TYPE I BR 08: TYPE II A 11: TYPE II B	0: STAND OFF=0.0mm	2: 5u" GOLD SELECTIVE OVER NICKEL PLATING	0: ## WITHOUT NUTS 1: ## WITH NUTS

**NOTES:**  
**MATERIAL**  
 Insulator: Glass Reinforced LCP UL94V-0  
 Contacts: Brass Alloy  
 Mount ear: Brass ; Tin plated overall  
**CONTACT PLATING**  
 Contact area: Gold plating over 40u" Nickel  
 Solder tail area: 100u" tin plating over 40u" Nickel



RECOMMENDED P.C.B. LAYOUT



A B C D E F G	C ECN 960101 RELEASE	A/L AL AL AL	/ / 01/08/07 06/01/01	GENERAL TOLERANCE DIMENSION 0.5 ±0.5 0.3 ±0.3 .00 ±0.2 SCALE: N.S.T	ANGLES 0° ±5° UNIT: mm	APPROVED ALBERT.LIU 06/01/01 CHECKED ALBERT.LIU 06/01/01 DRAWN ANNIE.CHIU 06/01/01	TITLE: CF CARD HEADER SMT 50P TYPE I (B) PART.NO: 60303020 (Lead Free) REVISE ONLY ON CAD SYSTEM
	REV. DESCRIPTION(ECN No)	DR. CHK. DATE	DATE	SCALE: N.S.T	UNIT: mm	SIZE A4 REV. A	REVISE ONLY ON CAD SYSTEM
	All Connectors		APPROVED ALBERT.LIU 06/01/01		TITLE: CF CARD HEADER SMT 50P TYPE I (B)		PART.NO: 60303020 (Lead Free)
	www.allconnectors.com TEL: 0049 711 700553 71740 Alfordstr., Germany		info@allconnectors.com Fax: 0049 711 700554 www.hirose.com		APPROVED ALBERT.LIU 06/01/01		REVISE ONLY ON CAD SYSTEM