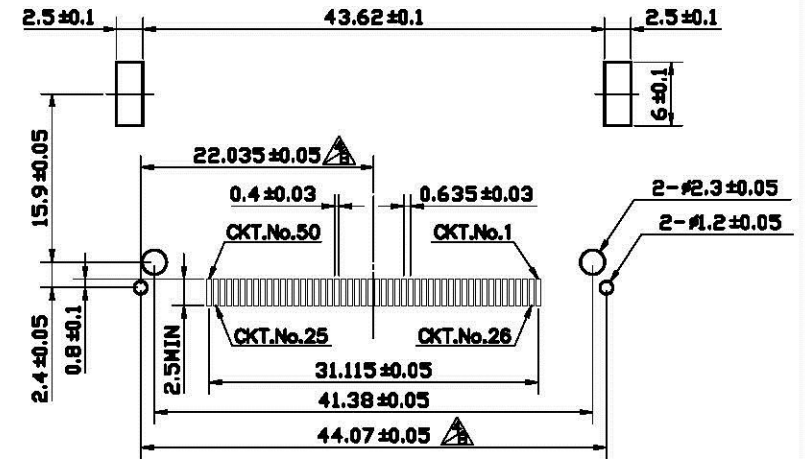
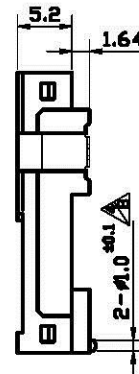
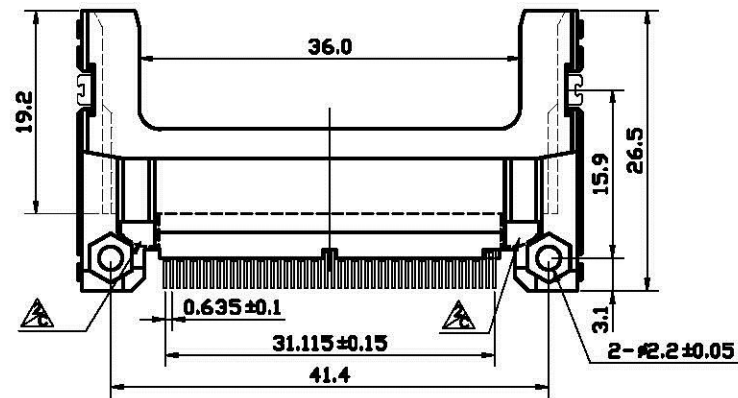
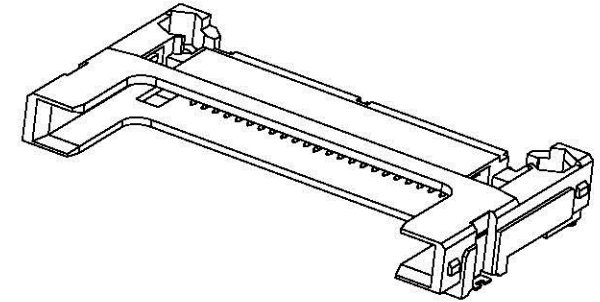


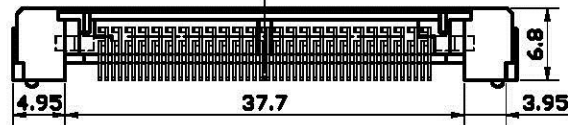
ORDERING INFORMATION

SERIES NO.	TYPE	HEADER TYPE	STAND OFF HEIGHT	CONTACT PLATING	ATTACHMENT
60	3	01	1	2	0
3: MALE HEADER SMT Lead Free		01: TYPE I A 02: TYPE I AR 03: TYPE I B 04: TYPE I BR 08: TYPE II A 11: TYPE II B	1: STAND OFF=1.64mm	2: 5u" GOLD SELECTIVE OVER NICKEL PLATING	0: WITHOUT NUTS 1: WITH NUTS

NOTES:
MATERIAL
 Insulator: Glass Reinforced LCP UL94V-0
 Contacts: Brass Alloy
 Mount ear: Brass ; Tin plated overall
CONTACT PLATING
 Contact area: Gold plating over 40u" Nickel
 Solder tail area: 100u" tin plating over 40u" Nickel



RECOMMENDED P.C.B. LAYOUT



A	ECN 1020701	CMC	A.L	2013.Jul.15	GENERAL TOLERANCE <table border="1"> <tr> <th>DIMENSION</th> <th>ANGLES</th> </tr> <tr> <td>0.0 ±0.5</td> <td>0° ±3°</td> </tr> <tr> <td>.00 ±0.3</td> <td></td> </tr> <tr> <td>.00 ±0.2</td> <td></td> </tr> </table>	DIMENSION	ANGLES	0.0 ±0.5	0° ±3°	.00 ±0.3		.00 ±0.2		 <small>www.allconnectors.com Tel: +86 20 22995970 Fax: +86 20 22995974 E: info@allconnectors.com 2012411 de steck - Germany E: info@allconnectors.com F: +86 20 22995974 E: info@allconnectors.com</small>	APPROVED ALBERT.LIU 01/28/'99	TITLE: CF CARD HEADER (Lead Free)
	DIMENSION	ANGLES														
	0.0 ±0.5	0° ±3°														
	.00 ±0.3															
.00 ±0.2																
ECN 950802	CMC	A.L	06/08/'06	CHECKED ALBERT.LIU 01/28/'99	SMT 50P TYPE I (A)											
RELEASE	A.C	A.L	01/28/'99	DRAWN ANNIE.CHIU 01/28/'99	PART NO: 60301120											
REV.	DESCRIPTION (ECN No)	DR.	CHK.	DATE	SCALE: N.S.T	UNIT: mm	 SIZE A4 REV. C REVISE ONLY ON CAD SYSTEM									