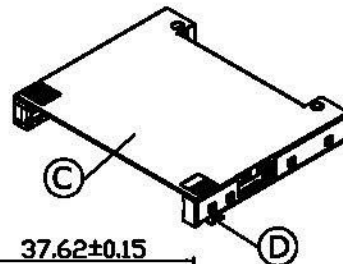


SWITCH CIRCUIT			MATERIAL AND FINISH AS BELOW						
WHEN CARD IS EJECTED	WHEN CARD IS INSERTED	A	Housing	LCP UL94V-0 Black	E	Spring	Piano Wire		
		B	Contact	Phosphor Bronze C5210, 0.2t, 10u" Gold	F	Crank	Stainless Steel SUS304		
		C	Shell	Stainless Steel SUS304, 0.2t	G				
		D	Hold down	Brass C2680, 0.2t, Tin Plating	H				



### SPECIFICATION:

#### 1. ELECTRICAL

- 1.1 Current Rating: 1.5A
- 1.2 Voltage Rating: 100V AC/DC
- 1.3 Contact Resistance: 30mΩ
- 1.4 Insulation Resistance: 1000MΩ
- 1.5 Dielectric Withstanding Voltage: 500VDC

#### 2. MECHANICAL

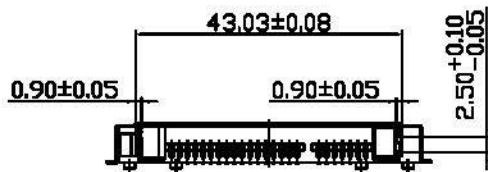
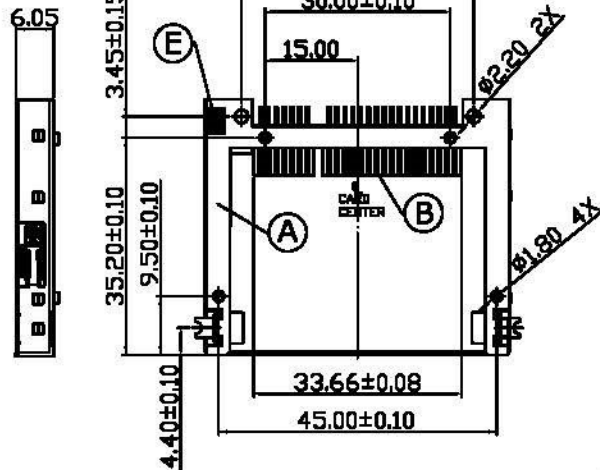
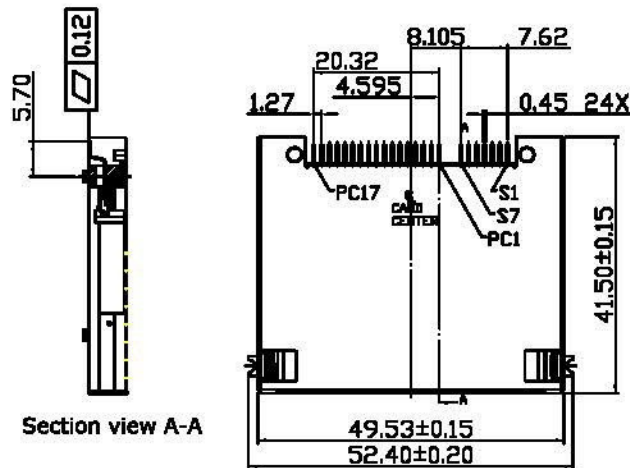
- 2.1 Durability: 10000 Cycle
- 2.2 Insertion Force: 28.8N max.
- 2.3 Extraction Force: 3.7~24.5N max.

#### 3. ENVIRONMENTAL

- 3.1 Operating temperature range: -40°C~+85°C
- 3.2 Storage temperature range: -40°C~+85°C

#### 4. SOLDER ABILITY

- 4.1 Recommended IR Reflow Temperature: 260°C



P1	P2	P3	P4	P5	P6	P7	P8	P9	P10	P11	P12
----	----	----	----	----	----	----	----	----	-----	-----	-----

#### PIN ASSIGNMENT

120C-605D00	Height 6.05, Push-Push Type II, Contact area 10u" Gold
PRODUCT NO.	DESCRIPTION

UNLESS OTHERWISE SPECIFIED TOLERANCE		
ANGLES	ANG.	±5°
LINEAR	0.	±0.3
	0.0	±0.25
	0.00	±0.20
SCALE	AS SHOWN	UNIT: mm
DRAWN	Willis	2013/05/07
CHECKED	Angel	2013/05/07
APPROVED	Ken	2013/05/07



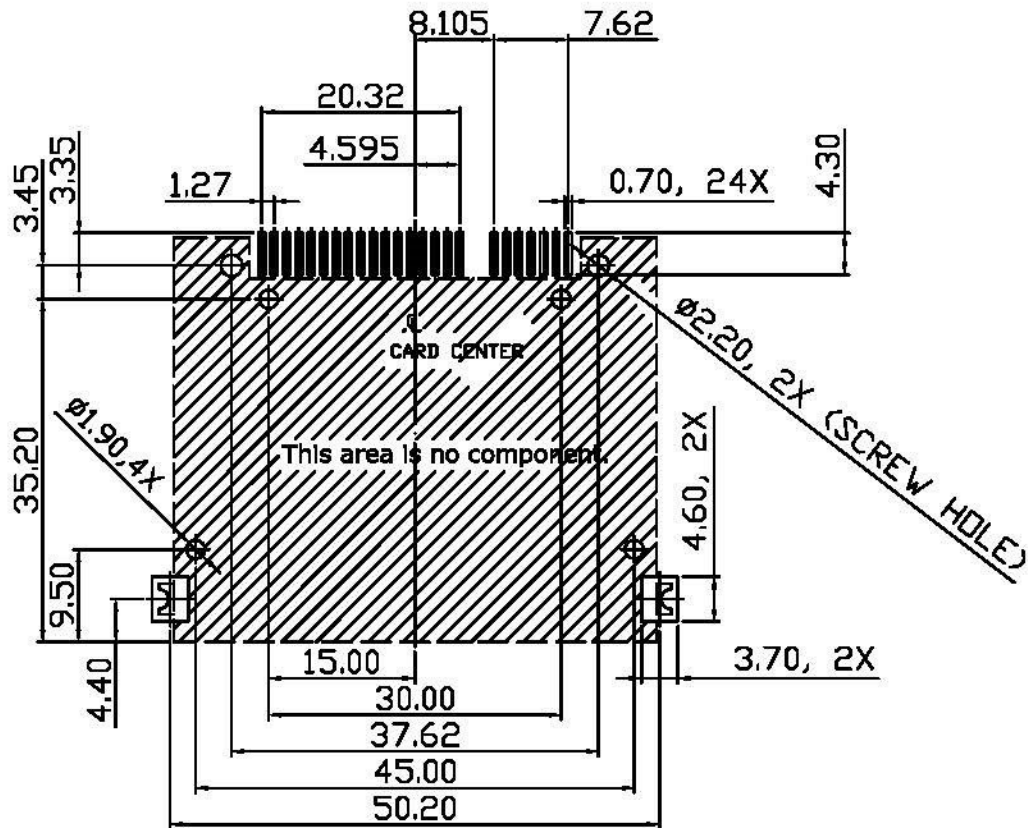
www.allconnectors.jp info@allconnectors.jp  
Tel: 049-711-7038/32 Fax: 049-711-7033/34  
7074 Fliberbach Germany Kettnerstr. 25

DRAWN NAME:  
CFAST Socket  
6.05H Push-Push Type II

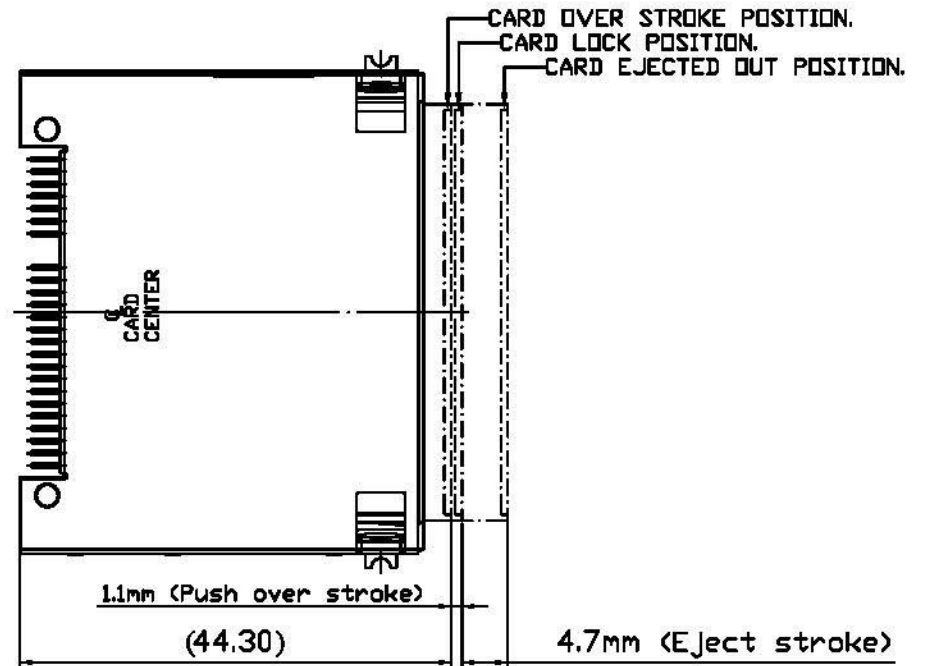
PRODUCT NO. 120C-605D00

- △ Revise:
- △ Revise:
- △ Revise:

REV.	DESCRIPTION	DATE	REV.	DESCRIPTION	DATE	SIZE A4	REV. 1.0	FILE NAME	120C-605D00_B_2
1			4						



TOLERANCE:  $\pm 0.05$   
RECOMMENDED P.C.B LAYOUT



				UNLESS OTHERWISE SPECIFIED TOLERANCE			All Connectors	
				ANGLES	ANG.	$\pm 5^\circ$	<a href="http://www.allconnectors.de">www.allconnectors.de</a> Tel.: 0049 711 7026903 Fax: 0049 711 7026904 70754 Heidesheim, Germany Kottenerstr. 28	
				LINEAR	0.0	$\pm 0.25$		
				SCALE	AS SHOWN	UNIT: mm	<b>DRAWN NAME:</b> <b>CFAST Socket</b> <b>6.05H Push-Push TypeII</b> <b>PRODUCT NO. 120C-605D00</b> <b>FILE NAME 120C-605D00_B_2</b>	
				DRAWN	Willis	2013/05/07		
				CHECKED	Angel	2013/05/07		
				APPROVED	Ken	2013/05/07		
REV.	DESCRIPTION	DATE	REV.	DESCRIPTION	DATE	SIZE	REV.	FILE NAME
1						A4	1.0	120C-605D00_B_2