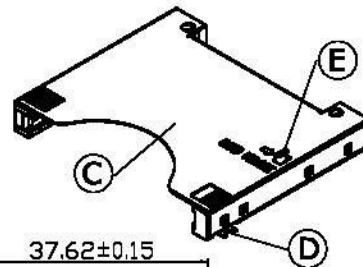


1	2	3	4	5	6	7	8	9	10
SWITCH CIRCUIT			MATERIAL AND FINISH AS BELOW						
WHEN CARD IS EJECTED		WHEN CARD IS INSERTED		A	Housing	LCP UL94V-0 Black	E	Lock	Stainless Steel SUS304
				B	Contact	Phosphor Bronze C5210, 0.2t, 10u" Gold	F		
				C	Shell	Stainless Steel SUS304, 0.2t	G		
				D	Hold down	Brass C2680, 0.2t, Tin Plating	H		



SPECIFICATION:

1. ELECTRICAL

- 1.1 Current Rating: 1.5A
- 1.2 Voltage Rating: 100V AC/DC
- 1.3 Contact Resistance: 30mΩ
- 1.4 Insulation Resistance: 1000MΩ
- 1.5 Dielectric Withstanding Voltage: 500VDC

2. MECHANICAL

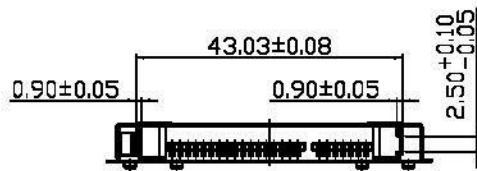
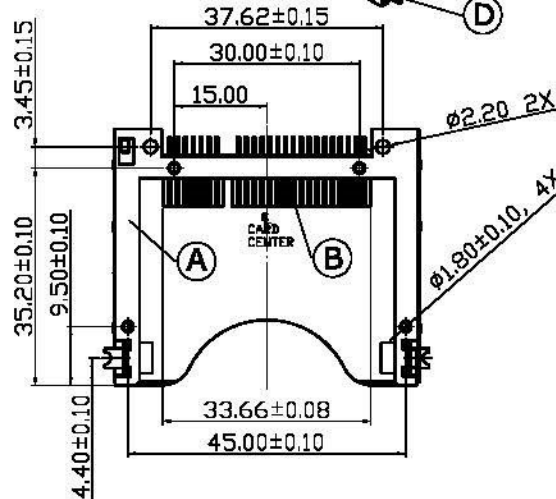
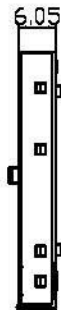
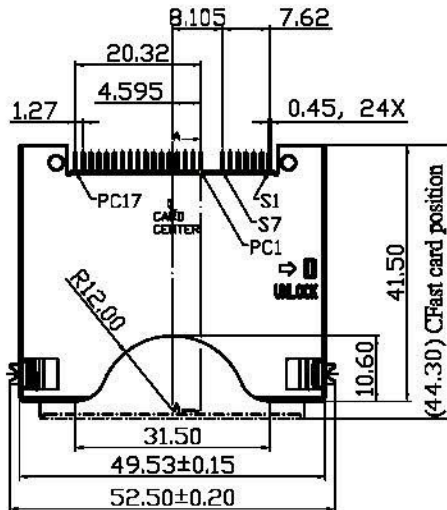
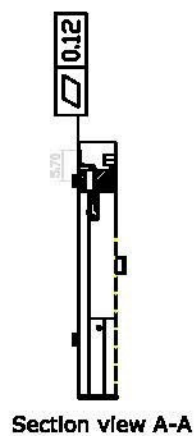
- 2.1 Durability: 10000 Cycle
- 2.2 Insertion Force: 28.8N max.
- 2.3 Extraction Force: 3.7~24.5N max.

3. ENVIRONMENTAL

- 3.1 Operating temperature range: -40°C~+85°C
- 3.2 Storage temperature range: -40°C~+85°C

4. SOLDER ABILITY

- 4.1 Recommended IR Reflow Temperature: 260°C



P1	P2	P3	P4	P5	P6	P7	P8	P9	P10	P11	P12
----	----	----	----	----	----	----	----	----	-----	-----	-----

PIN ASSIGNMENT

120B-605D00	Height6.05, Card Lock TypeII, Contact area 10u" Gold
-------------	------------------------------------------------------

PRODUCT NO. DESCRIPTION

UNLESS OTHERWISE SPECIFIED TOLERANCE

ANGLES	ANG.	±5°
		±0.3
LINEAR		±0.25
		±0.20

SCALE AS SHOWN UNIT: mm

DRAWN Willis 2013/05/07

CHECKED Angel 2013/05/07

APPROVED Ken 2013/05/07

All Connectors

www.allconnectors.com info@allconnectors.com
 TEL: 0089 721 206823 Fax: 0089 721 706921
 72344 Hildesheim - Germany Hildesheim str. 25

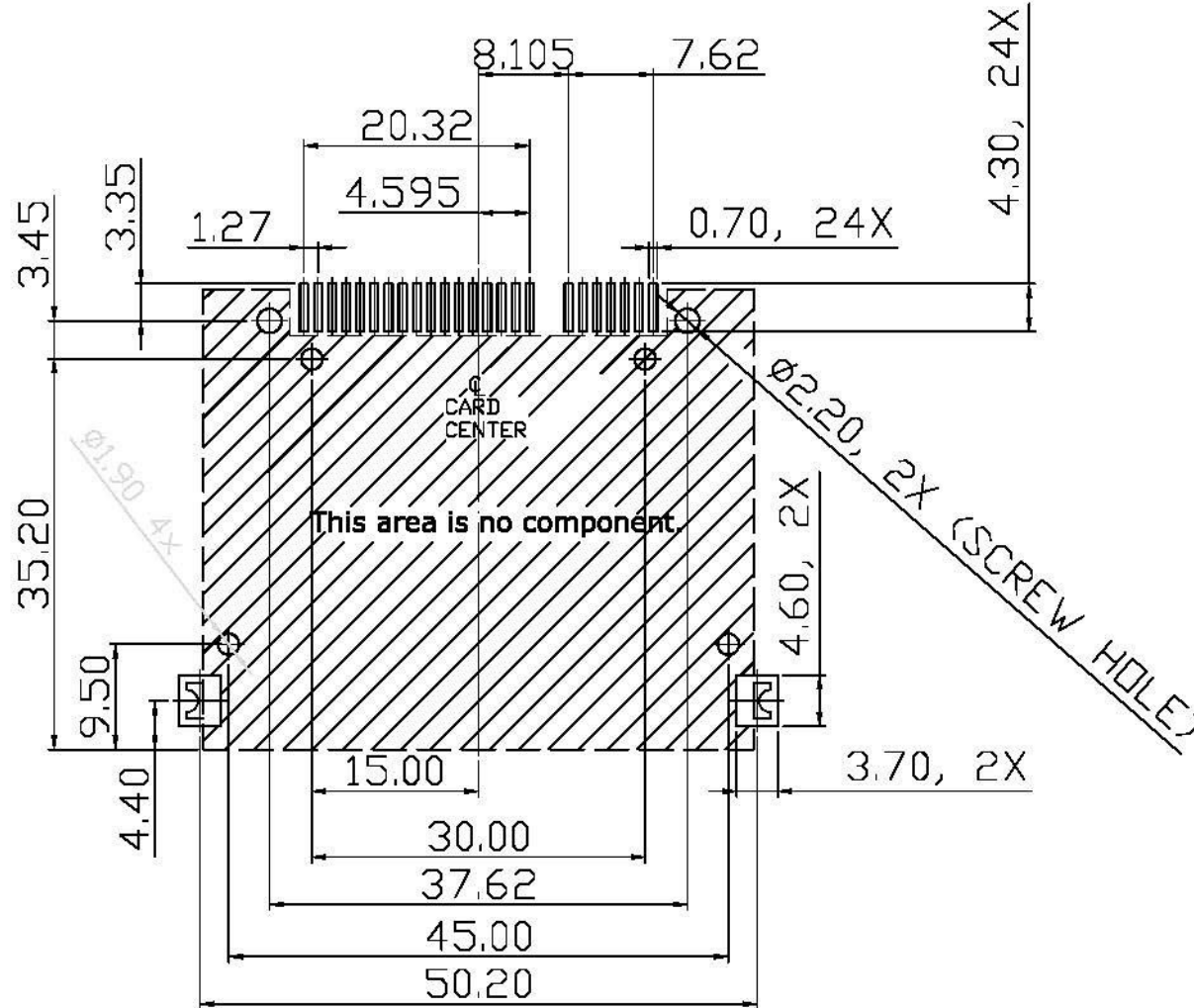
DRAWN NAME: CFAST Socket
6.05H Card Lock TypeII

PRODUCT NO. 120B-605D00

FILE NAME 120B-605D00_B_2

REV.	DESCRIPTION	DATE	REV.	DESCRIPTION	DATE
1			4		
2			5		
3			6		

1	2	3	4	5	6	7	8	9	10
							SIZE A4	REV. 1.0	



TOLERANCE: ± 0.05
 RECOMMENDED P.C. BOSRD LAYOUT

UNLESS OTHERWISE SPECIFIED TOLERANCE		
ANGLES	ANG.	$\pm 5^\circ$
		± 0.3
LINEAR		± 0.25
		± 0.20
SCALE	AS SHOWN	UNIT: mm
DRAWN	Willis	2013/05/07
CHECKED	Angel	2013/05/07
APPROVED	Ken	2013/05/07

All Connectors

www.allconnectors.de info@allconnectors.de
 Tel.: 0049 711 7099509 Fax: 0049 711 7099604
 70794 Filzschmitt Germany Keltomestr. 25

DRAWN NAME:
**CFAST Socket
 6.05H Card Lock TypeII**

PRODUCT NO. **120B-605D00**

FILE NAME **120B-605D00_B_2**

- △ Revise:
- △ Revise:
- △ Revise:

REV.	DESCRIPTION	DATE	REV.	DESCRIPTION	DATE	SIZE	REV.
1						A4	1.0