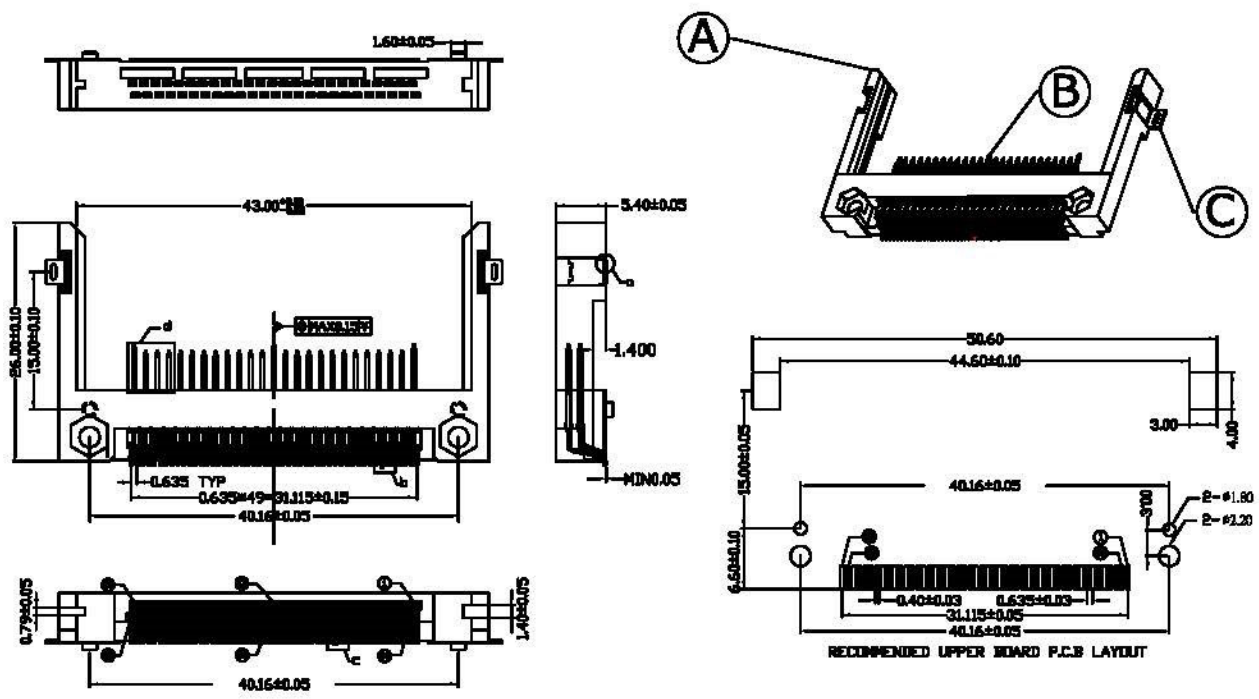


SWITCH CIRCUIT

MATERIAL AND FINISH AS BELOW

WHEN CARD IS EJECTED	WHEN CARD IS INSERTED
----------------------	-----------------------

A	Housing	LCP UL94V-0, Color:Ivory	E
B	Contact	Brass C2680, Gold Plated Over Nickel	F
C	Holddown	Brass C2680, Tin Plated	G
D			H



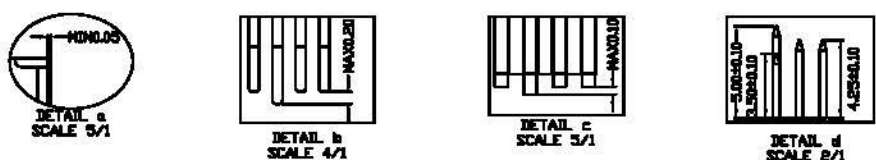
**SPECIFICATION:**

- ELECTRICAL**
  - Current Rating: 0.5AMP
  - Voltage Rating: 100VAC
  - Contact Resistance: 40mΩ
  - Insulation Resistance: 1000MΩ
  - Dielectric Withstanding Voltage: 500VAC for 1 minute

- MECHANICAL**
  - Durability: 10000Cycle
  - Insertion Force: 28.8N
  - Extraction Force: 4.9N

- ENVIRONMENTAL**
  - Operating temperature range: -40°C to +85°
  - Storage temperature range: -40°C to +85°

- SOLDER ABILITY**
  - Recommended IR Reflow Temperature: 260°C 10Sec



PIN NUMBER	DMIL
25 26	3.50
ALL OTHER PINS	4.25
1 13 38 50	5.00

P1	P2	P3	P4	P5	P6	P7	P8	P9	P10	P11	P12
PIN ASSIGNMENT											
101D-TACA-R01 CF Socket Slim Type Peg:40.16, S/O:1.4mm, Contact Area:Gold Flash											
PRODUCT NO. DESCRIPTION											

				UNLESS OTHERWISE SPECIFIED TOLERANCE													
				<table border="1"> <tr> <td>ANGLES</td> <td>ANG.</td> <td>±5°</td> </tr> <tr> <td rowspan="3">LINEAR</td> <td>0.</td> <td>±0.3</td> </tr> <tr> <td>0.0</td> <td>±0.25</td> </tr> <tr> <td>0.00</td> <td>±0.20</td> </tr> </table>								ANGLES	ANG.	±5°	LINEAR	0.	±0.3
ANGLES	ANG.	±5°															
LINEAR	0.	±0.3															
	0.0	±0.25															
	0.00	±0.20															
				SCALE AS SHOWN UNIT: mm				DRAWN NAME: CF Slim Type Socket Locating Peg:40.16,Stand off 1.4mm PRODUCT NO. 101D-TACA-R01 FILE NAME 101D-TACA-R01_B_1									
				DRAWN Willis 2012/12/27													
				CHECKED Angel 2012/12/27													
				APPROVED Ken 2012/12/27													
REV.	DESCRIPTION	DATE	REV.	DESCRIPTION	DATE	SIZE A4	REV. 1.0										