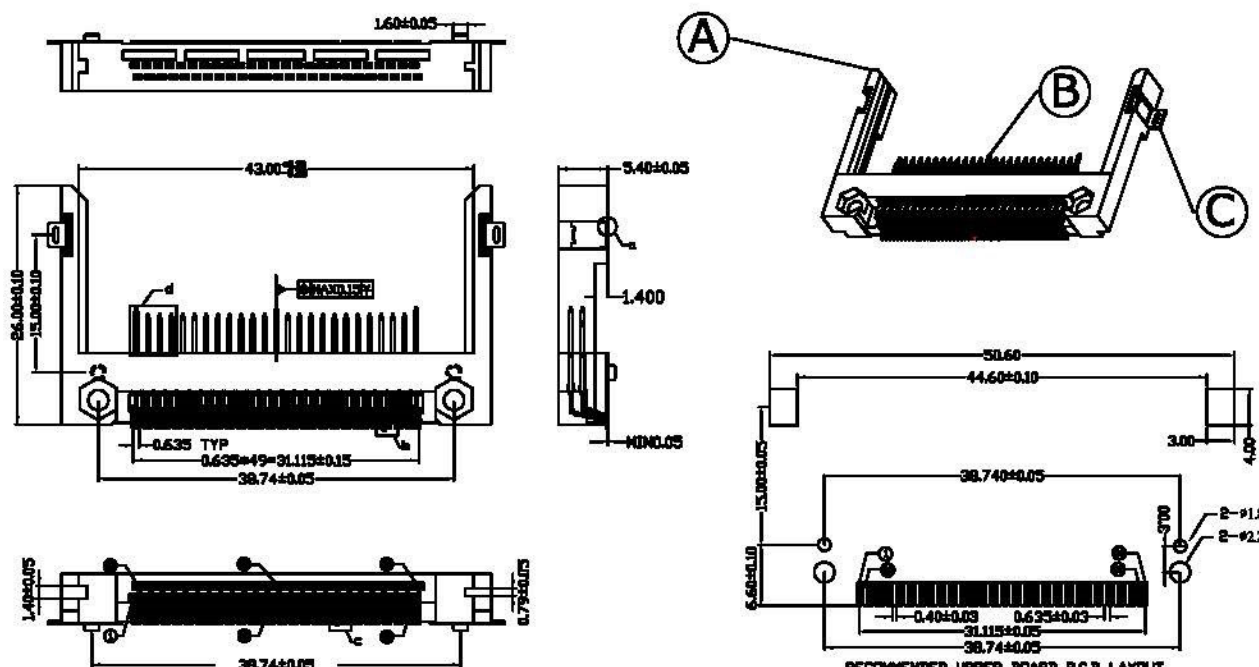


SWITCH CIRCUIT

MATERIAL AND FINISH AS BELOW

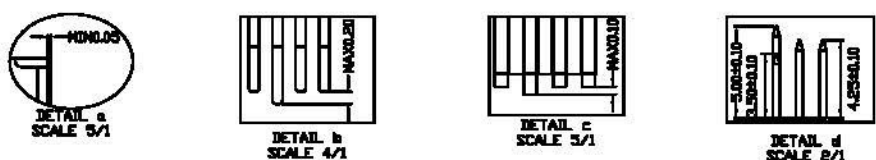
WHEN CARD IS EJECTED	WHEN CARD IS INSERTED
----------------------	-----------------------

A	Housing	LCP UL94V-0, Color:Ivory	E
B	Contact	Brass C2680, Gold Plated Over Nickel	F
C	Holddown	Brass C2680, Tin Plated	G
D			H



SPECIFICATION:

- ELECTRICAL**
 - Current Rating: 0.5AMP
 - Voltage Rating: 100VAC
 - Contact Resistance: 40mΩ
 - Insulation Resistance: 1000MΩ
 - Dielectric Withstanding Voltage: 500VAC for 1 minute
- MECHANICAL**
 - Durability: 10000Cycle
 - Insertion Force: 28.8N
 - Extraction Force: 4.9N
- ENVIRONMENTAL**
 - Operating temperature range: -40°C to +85°
 - Storage temperature range: -40°C to +85°
- SOLDER ABILITY**
 - Recommended IR Reflow Temperature: 260°C 10Sec



PIN NUMBER	DMIL
25 26	3.50
ALL OTHER PINS	4.25
1 13 38 50	5.00

P1	P2	P3	P4	P5	P6	P7	P8	P9	P10	P11	P12
PIN ASSIGNMENT											

101D-RACB-R01	CF Socket Slim Type Peg:38.74, S/O:1.4mm, Contact Area:Gold Flash
PRODUCT NO.	DESCRIPTION

UNLESS OTHERWISE SPECIFIED TOLERANCE ANGLES: ANG. ±5° LINEAR: 0. ±0.3 0.0 ±0.25 0.00 ±0.20 SCALE: AS SHOWN UNIT: mm DRAWN: Willis 2012/12/27 CHECKED: Angel 2012/12/27 APPROVED: Ken 2012/12/27	All Connectors www.allconnectors.com info@allconnectors.com TEL: 0549 791 203900 Fax: 0549 791 703307 70794-FIM (Stadl) - Germany Dettenstr. 17	
	DRAWN NAME: CF Slim Socket Reverse Type Locating Peg:38.74,Stand off 1.4mm	
	PRODUCT NO.	101D-RACB-R01
	FILE NAME	101D-RACB-R01_B_1

REV.	DESCRIPTION	DATE	REV.	DESCRIPTION	DATE	SIZE A4	REV. 1.0
1			4				