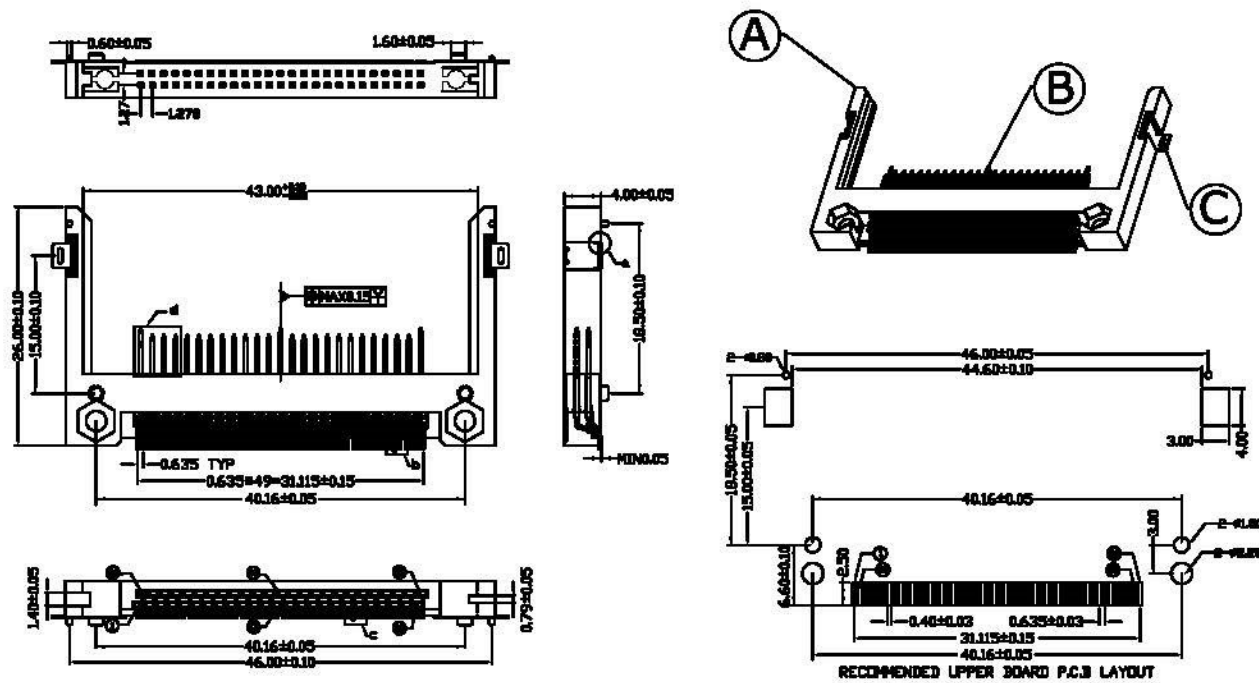


SWITCH CIRCUIT

MATERIAL AND FINISH AS BELOW

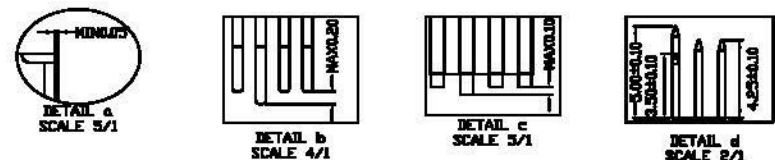
WHEN CARD IS EJECTED	WHEN CARD IS INSERTED
----------------------	-----------------------

A	Housing	LCP UL94V-0, Color:Ivory	E
B	Contact	Brass C2680, Gold Plated Over Nickel	F
C	Holddown	Brass C2680, Tin Plated	G
D			H



SPECIFICATION:

- ELECTRICAL**
 - Current Rating: 0.5AMP
 - Voltage Rating: 100VAC
 - Contact Resistance: 40mΩ
 - Insulation Resistance: 1000MΩ
 - Dielectric Withstanding Voltage: 500VAC for 1 minute
- MECHANICAL**
 - Durability: 10000Cycle
 - Insertion Force: 28.8N
 - Extraction Force: 4.9N
- ENVIRONMENTAL**
 - Operating temperature range: -40°C to +85°
 - Storage temperature range: -40°C to +85°
- SOLDER ABILITY**
 - Recommended IR Reflow Temperature: 260°C 10Sec



PIN NUMBER	DIML
25 26	3.50
ALL OTHER PINS	4.25
1 13 36 50	5.00

P1	P2	P3	P4	P5	P6	P7	P8	P9	P10	P11	P12
PIN ASSIGNMENT											
101D-RAAA-R01 CF Socket Slim Type Peg:40.16,Contact Area:Gold Flash											
PRODUCT NO. DESCRIPTION											

UNLESS OTHERWISE SPECIFIED TOLERANCE				
ANGLES	ANG.	±5°		
LINEAR	0.	±0.3		
	0.0	±0.25		
SCALE	AS SHOWN	UNIT: mm	www.allconnectors.com info@allconnectors.com 101D-RAAA-R01 101D-RAAA-R01	
DRAWN	Willis	2012/11/13	DRAWN NAME: CF Slim Socket	
CHECKED	Angel	2012/11/13	Reverse Type Locating Peg:40.16	
APPROVED	Ken	2012/11/13	PRODUCT NO.	101D-RAAA-R01
REV.	1.0	FILE NAME	101D-RAAA-R01_B_1	

REV.	DESCRIPTION	DATE	REV.	DESCRIPTION	DATE	SIZE	REV.
1			1			A4	1.0