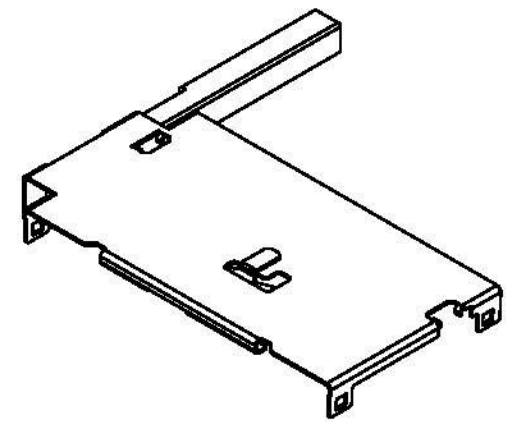


**MATERIAL**  
 Push Button: Thermal Plastic  
 UL94V-0 Color:Black  
 Cover: Stainless Steel  
 Pivot Shell: Stainless Steel  
 Rated Voltage: 35V/AC Max

101C-E S X 0-R  
 1 2 3 4

- 1.Type E:Ejector
- 2.Ejector Type S:Straight
- 3.Ejector Length A:15mm B:20mm C:22mm
- 4.ROHS



REV.	DESCRIPTION	DATE	REV.	DESCRIPTION	DATE	SIZE	REV.	FILE NAME
1			1			A4	1.0	101C-ESX0-R_B_1

UNLESS OTHERWISE SPECIFIED TOLERANCE			All connectors	
ANGLES	ANG.	±5°	www.allconnectors.de Tel. 0049 711 3009010 70734 Filzstätt, Germany info@allconnectors.de Fax 0049 711 300904 Kettentr. 15	
LINEAR	0.0	±0.3		
	0.00	±0.25		
	0.00	±0.20		
SCALE	AS SHOWN	UNIT: mm		
DRAWN	Willis	2012/08/03	DRAWN NAME:	
CHECKED	Angel	2012/08/03	CF Socket Ejector With Shell	
APPROVED	Ken	2012/08/03	PRODUCT NO.	101C-ESX0-R