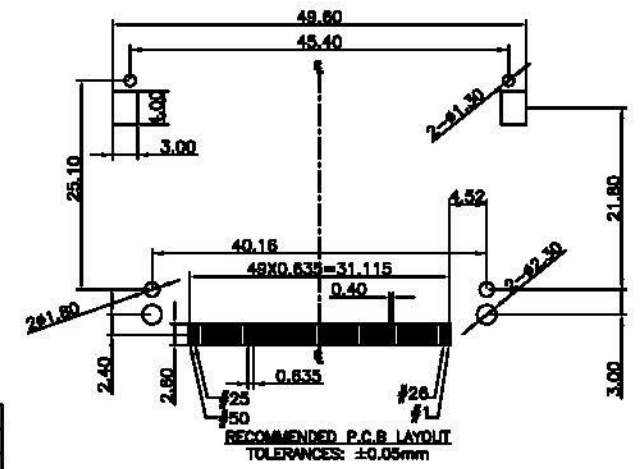


For SIP
 For cmk/cpk

POWER	5.00mm	1,13,38,50
GENERAL	4.25mm	all other pins
DETECT	3.50mm	25,26
Pin type	Interface Dim. L	Pin No.

MATERIAL
 Insulator: Thermal Plastic UL94V-0
 Contacts: Copper Alloy
 Mount Ear: Copper Alloy
CONTACT PLATING
 Underplate: 50u"~100u" Nickel
 Contact Area: 15u" Selective Gold
 Solder Tails Area: 100u"~200u" Tin/Lead Free (Matte Tin)

101B-I Δ Δ 0-R
 1 2 3 4
 1.Type 3.Stand Off
 T:Top Mount A:0mm
 2.Contact Plating 4.RoHS
 A:15u"Gold Plating



REV.	DESCRIPTION	DATE	REV.	DESCRIPTION	DATE	SIZE	REV.	FILE NAME
1			4			A4	1.0	101B-TAA0-R_B_1

UNLESS OTHERWISE SPECIFIED TOLERANCE			 www.allconnectors.de Tel: 0049 711 7039310 70754 Filderstadt - Germany info@allconnectors.de Fax: 0049 711 7039304 www.allconnectors.de		
ANGLES	ANG.	±5°	SCALE	AS SHOWN	UNIT: mm
LINEAR	0.	±0.3	DRAWN	Willis	2012/08/03
	0.0	±0.25	CHECKED	Angel	2012/08/03
	0.00	±0.20	APPROVED	Ken	2012/08/03
DRAWN NAME:			PRODUCT NO. 101B-TAA0-R		
DRAWN NAME:			CF Type I/II Socket Top Mount, With Grounding		

A Revise:
 A Revise:
 A Revise: