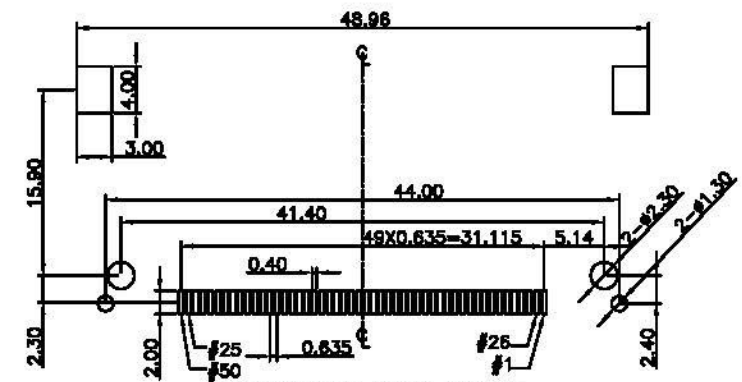
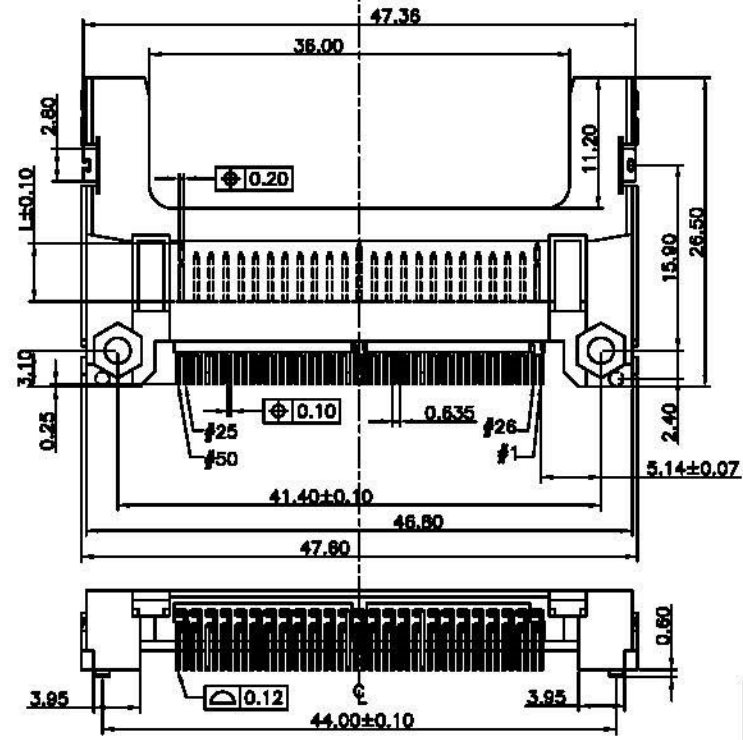


MATERIAL
 Insulator: Thermal Plastic UL94V-0 Color:white
 Contacts: Copper Alloy
 Mount ear: Copper Alloy;
 Tin/Lead Free(Matten Tin) Plated Overall

CONTACT PLATING
 Contact Number: 50Pin
 Underplated: 50µ" Nickel
 Contact area: 3µ"~15µ" Selective gold
 Solder tails area:100µ" Tin/Lead Free(Matte Tin)
 Rated Voltage: 35V/AC Max.

101A-I X A 0-R
 1 2 3 4

- 1.Type 3.Stand Off
- T:Top Mount A:1.64mm
- 2.Contact Plating 4.ROHS
- A:15u"Gold Plating
- B:3u" Gold Plating



RECOMMENDED P.C.B LAYOUT
 TOLERANCES: ±0.05mm

POWER	5.00mm	1,13,38,50
GENERAL	4.25mm	all other pins
DETECT	3.50mm	25,26
Pin type	Interface	Pin No.
	Dim. L	

				UNLESS OTHERWISE SPECIFIED TOLERANCE					
				ANGLES	ANG.	±5°			
				LINEAR	0.	±0.3	www.allconnectors.de Tel.: 0549 711 7085-0 30784 Fildarsfeld - Germany		
					0.0	±0.25			info@allconnectors.de Fax: 0549 711 7085-24 Kettnerstr. 25
				SCALE	AS SHOWN	UNIT: mm	DRAWN NAME: CF Type I Socket Top Mount,S/O1.64mm		
				DRAWN	Willis	2012/08/03			PRODUCT NO. 101A-TXA0-R
				CHECKED	Angel	2012/08/03	FILE NAME 101A-TXA0-R_B_1		
				APPROVED	Ken	2012/08/03			
REV.	DESCRIPTION	DATE	REV.	DESCRIPTION	DATE	SIZE A4	REV. 1.0		
1			4						

- △ Revise:
- △ Revise:
- △ Revise: