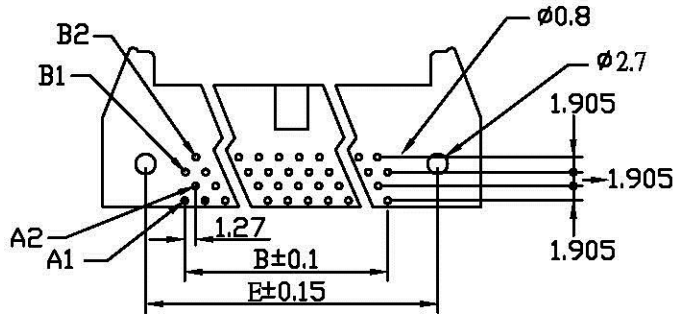
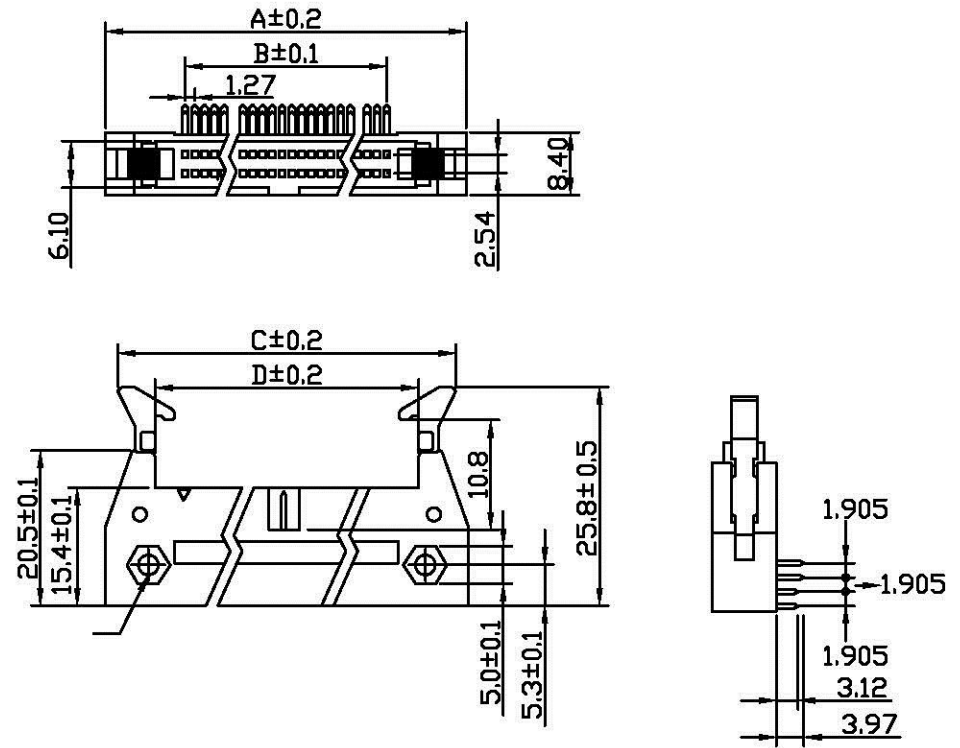


P.C. Board Layout Top View  
(20.32.40.52.60.68.80.100)Position



P.C. Board Layout Top View  
(26.34.50)Position



Position	Dimension				
	A	B	C	D	E
20	32.38	32.38	32.38	32.38	32.38
26	36.18	15.24	33.16	23.11	25.40
32	39.98	19.05	36.97	26.92	29.21
34	41.25	20.32	38.24	28.19	30.48
40	45.08	24.13	42.05	32.00	34.29
50	51.41	30.48	48.40	38.35	40.64
52	52.68	31.75	49.67	39.62	41.91
60	57.76	38.83	54.75	44.70	46.99
68	62.84	41.91	59.83	49.78	52.07
80	70.45	49.53	67.45	57.40	59.69
100	83.16	62.23	80.25	70.10	72.39

**All Connectors**

www.allconnectors.de  
Tel.: 0049 711 7009503  
40794 Hildesheim, Germany

info@allconnectors.de  
Fax: 0049 711 7009504  
Kettelerstr. 29

PART NO. HL-RBS-xxx

DWG NO. HL-RBS-xxx

FILE NO.

UNIT / mm

SCALE 1:1

CHECKED BY CY

DRAWING BY

PROJECTION



TOLERANCES ARE

.X ± 0.2  
.XX ± 0.15  
.XXX ±  
AWG

DESCRIPTION:

AREA

REVISIONS

HK

DATE