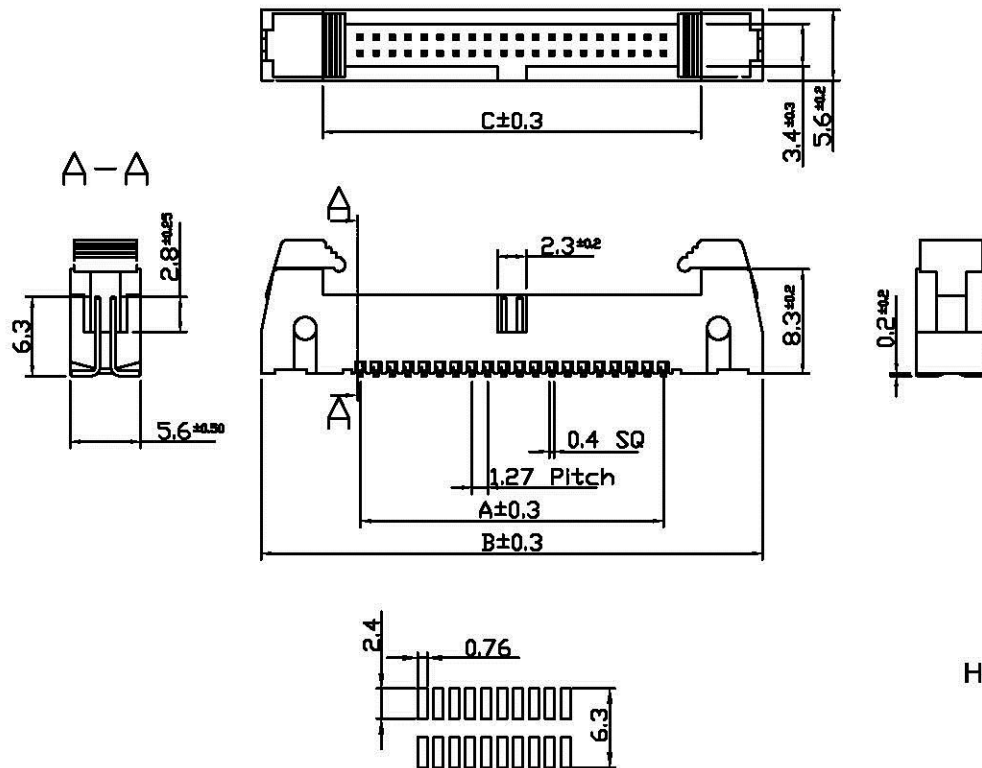
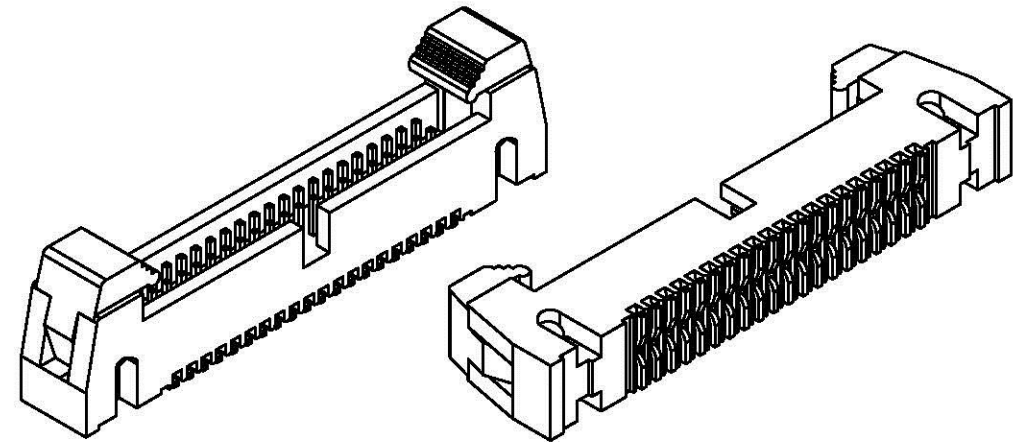


Conteract:   
 Contact: Brass.   
 Insuiator: LCP.   
 Finish: Gold flash plated over nickel.



Circuits	Dimension		
	A	B	C
6	2.54	18.31	8.46
10	5.08	20.85	11.00
12	6.35	22.12	12.27
14	7.62	23.39	13.54
16	8.89	24.66	14.81
20	11.43	27.20	17.35
26	15.24	30.01	21.16
30	17.78	32.55	23.70
34	20.32	36.09	26.24
40	24.13	39.90	30.05
44	26.67	42.44	37.59
50	30.48	46.55	36.40
60	36.83	52.60	42.75
64	39.37	55.14	45.29
66	40.64	56.41	46.56
68	41.91	57.68	47.83
80	49.53	65.30	55.45
100	62.23	78.00	68.15

HAL-V-xxx-LF  
 LEADFREE

P.C.Board Layout

RoHS Compliant

**Allconnectors**

www.allconnectors.de  
 TEL: 0049 711 7009308  
 70794 Tübingen - Germany

info@allconnectors.de  
 Fax: 0049 711 7009301  
 Kettnerstr. 25

PART NO. HAL-V-xxx

DWG NO. HAL-V-xxx

FILE NO.

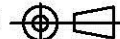
UNIT / mm

SCALE 1:1

CHECKED BY CY

DRAWING BY

PROJECTION



TOLERANCES ARE

.X±0.2  
 .XX±  
 .XXX±  
 AWG

DESCRIPTION: 1.27-1.27 Pitch Shrouded Header SMT Type

AREA

REVISIONS

HK

DATE