

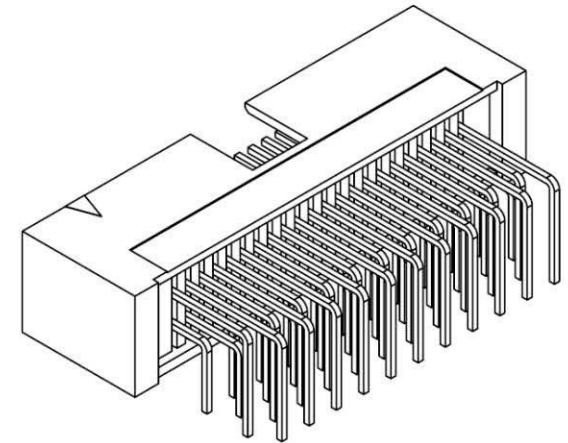
Contract:

Contact: Brass.

Insulator: PBT.

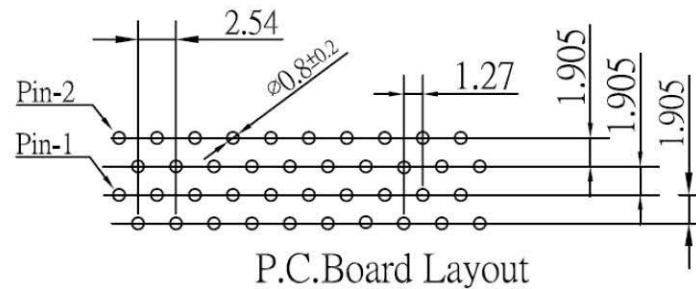
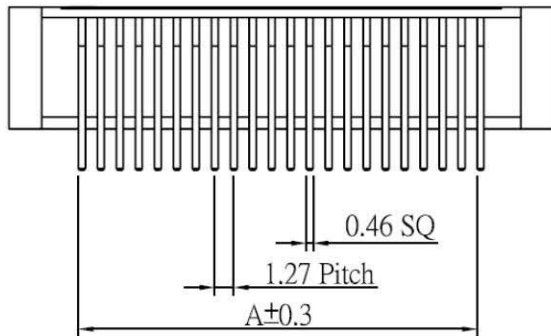
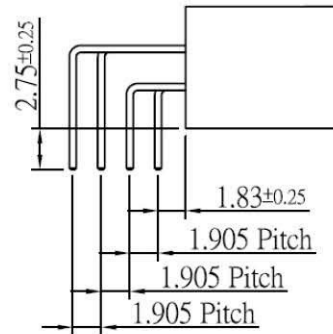
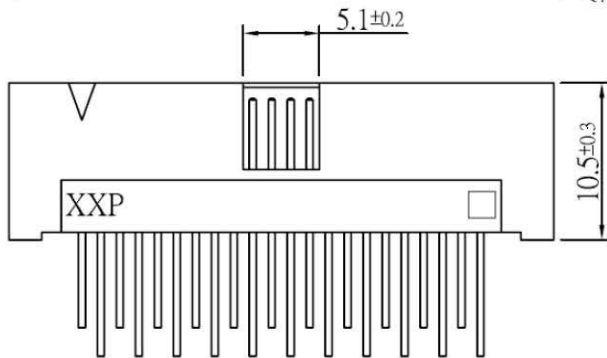
Color: Black.

Finish: Gold flash plated over nicked.



HB-R4H10-xxx-LF

LEADFREE



Circuits	Dimension		
	A	B	C
16	8.89	18.66	16.46
20	11.43	21.20	19.00
32	19.05	28.82	26.62
40	24.13	33.90	31.70
44	26.67	36.44	34.24
52	31.75	41.52	39.32
60	36.83	46.60	44.40
68	41.91	51.68	49.48
80	49.53	59.30	57.10
100	62.23	72.00	69.80

All Connectors

www.allconnectors.de
Tel.: 0049 711 7009503
70791 Filderstadt - Germany

info@allconnectors.de
Fax: 0049 711 7009504
Kettnerstr. 25

PART NO. HB-R4H10-xxx

DWG NO. HB-R4H10-xxx

FILE NO.

UNIT / mm

SCALE 1:1

CHECKED BY CY

DRAWING BY

PROJECTION



RoHS Compliant

TOLERANCES ARE

.X ± 0.2
.XX ±
.XXX ±
AWG

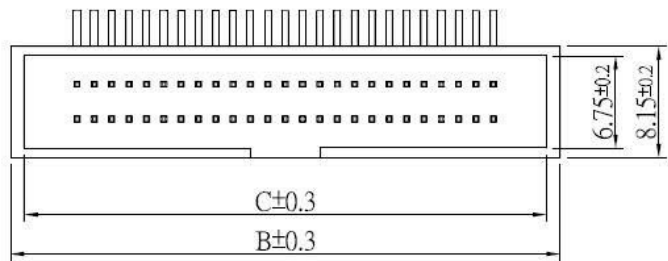
DESCRIPTION:

AREA

REVISIONS

HK

DATE



Contract:

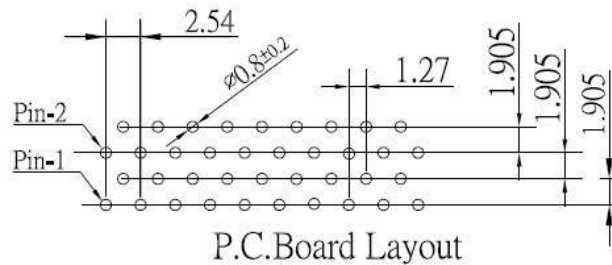
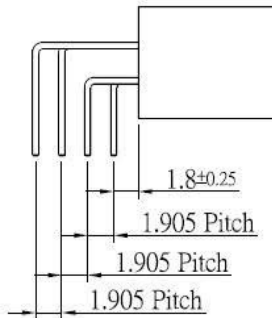
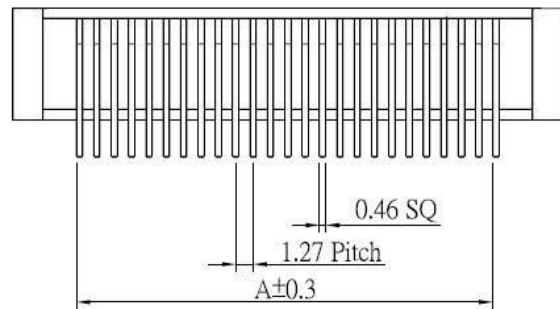
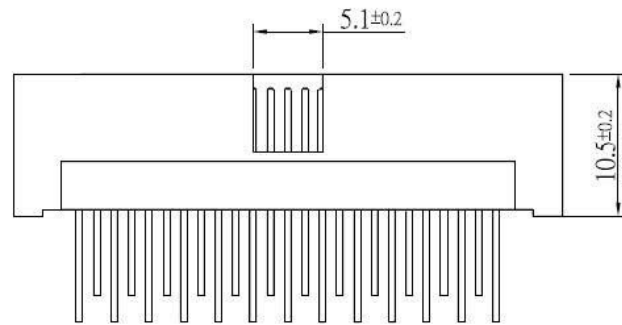
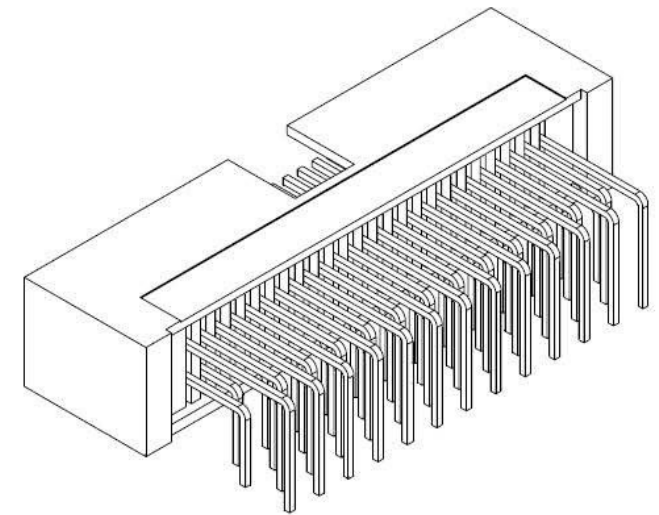
Contact: Brass.

Insulator: PBT.

Color: Black.

Contact Plated: Gold Over Nickel.

Solder Plated: Tin Over Nickel.



Circuits	Dimension		
	A	B	C
10	5.08	14.85	12.65
26	15.24	25.01	22.81
30	17.78	27.55	25.35
34	20.32	30.09	27.89
50	30.48	40.25	38.05
70	43.18	52.95	50.75

HB-R4H10-xxx-LF

LEADFREE

RoHS Compliant

All Connectors

www.allconnectors.de
Tel.: 0049 711 7000200
70704 Fellbach, Germany

Info@allconnectors.de
Fax: 0049 711 7000204
Kontaktcenter 24/7

PART NO. HB-R4H10-xxx

DWG NO. HB-R4H10-xxx

FILE NO.

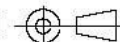
UNIT / mm

SCALE 1:1

CHECKED BY CY

DRAWING BY

PROJECTION



TOLERANCES ARE

.X ± 0.2
.XX ±
.XXX ±
AWG

DESCRIPTION:

AREA

REVISIONS

HK

DATE