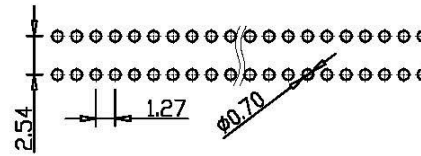
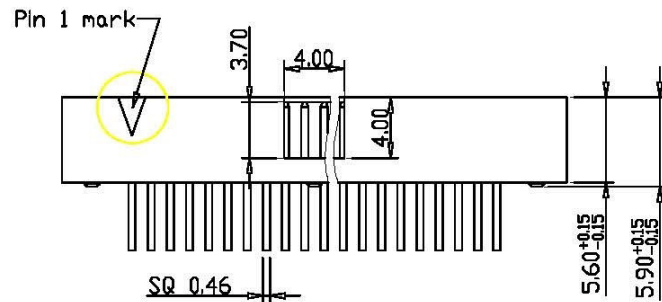
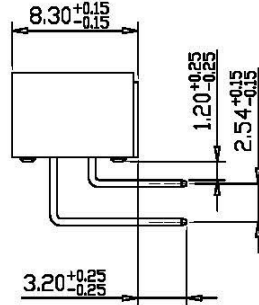
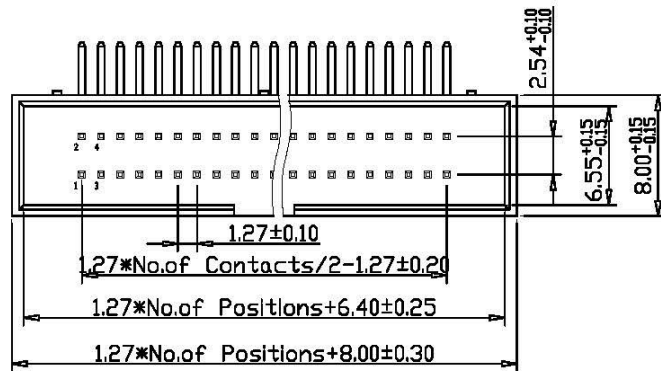


1.27x2.54mm PITCH BOX HEADER, SHROUDED TERMINAL STRIP RIGHT ANGLE, DOUBLE ROW, ROHS COMPLIANT



Recommended P.C.B Layout

Material Information:

Terminal: Brass
 Insulator: PA6T+30%G.F (UL94V-0)
 Plating: Au or Sn plated over 50 U" Ni
 All materials compliant with ROHS

Technical Specifications:

Current Rating: 1A
 Contact Resistance: $20m\Omega$ Max.
 Insulation Resistance: $1000m\Omega$ Min.
 Dielectric Voltage: 500V AC/minute
 Operation Temperature: $-40^{\circ}C$ to $+105^{\circ}C$

Ordering Information

CBR59 - XX XX XX B1 X
 ① ② ③

- ① No. of Contacts: 06 To 64
- ② Plating Option:
 01: Gold Flash Over All
 05: 5U" Gold plated Over All
 10: 10U" Gold Plated Over All
 0S: Tin Plated Over All
- ③ Packing Option:
 A: Plastic Tray B: PE Bag
 C: Tube



www.allconnectors.de
 Tel.: 0049 711 700360
 70734 Hilderstadt - Germany

info@allconnectors.de
 Fax: 0049 711 7009604
 Kettnerstr. 25

绘图 (DRAWN) 孙高田
 审核 (CHECKED) 刘思晴
 核准 (APPROVE)

孙高田
 刘思晴

投影 (PROJECT) 公差 (TOLERANCE)
 单位 (UNIT) MM
 比例 (SCALE) 1:1
 版本 (EDITION) A
 日期 (DATE) 2013/12/14

公差 (TOLERANCE)
 0.0 ± 0.30
 0.00 ± 0.20

料号 (PART NO)
 品名 (NAME)

CBR59-XXXXXXB1X
 1.27*2.54简牛 双排 90°