

※請注意!!零件凹槽，大點朝上，一併都朝圓孔擺放！

W	44.00±0.30	P	12.00±0.10	A0	6.50±0.10	B0	22.45±0.10
S	40.40±0.10	P0	4.00±0.10	A1	5.65±0.10	B1	18.95±0.10
E	1.75±0.10	P2	2.00±0.15	A2		B2	
F	20.20±0.15	D0	∅1.50 <sup>+0.10</sup> <sub>0</sub>	K0	8.00±0.10		
T	0.40±0.05	D1		K1	6.80±0.10	COLOR:BK/ANT	

**All Connectors**

www.allconnectors.de  
Tel.: 0049 711 7009503  
70794 Filderstadt - Germany

info@allconnectors.de  
Fax: 0049 711 7009504  
Kettnerstr. 25

**RoHS Compliant**

DRAWING BY CY

CHECKED BY GENIUS

UNIT/mm SCALE 1:1

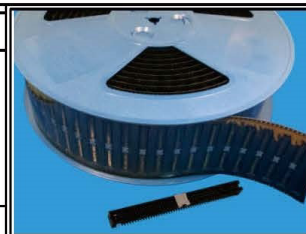
DATE

SIZE A4

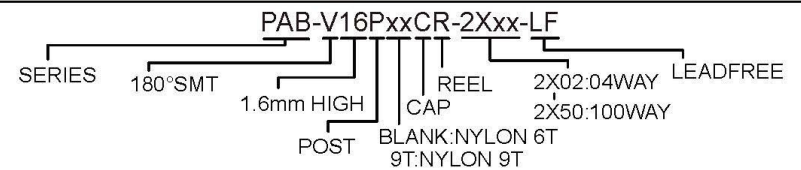
TOLERANCES ARE

X ± 0.30  
XX ± 0.30  
.XX ± 0.20  
.XXX ± 0.20  
ANG ± 1°

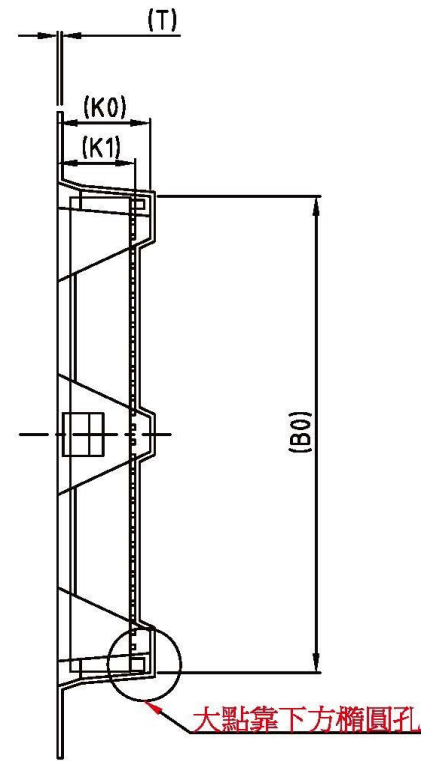
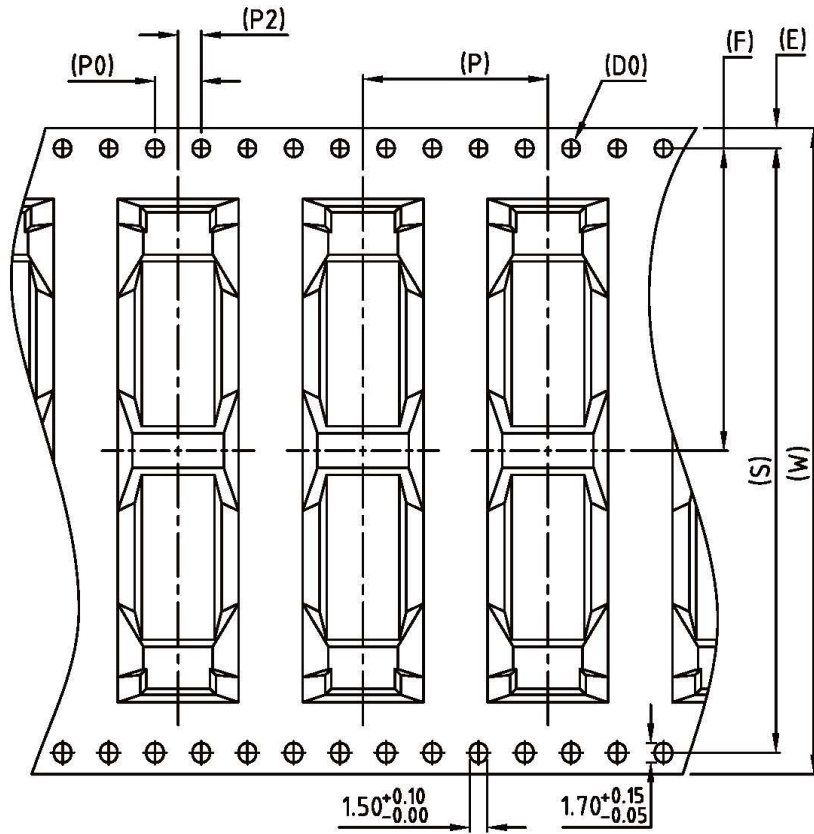
PROJECTION



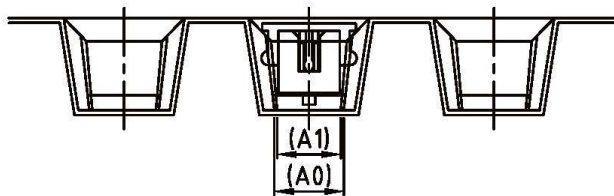
ORDER INFORMATION



DESCRIPTION: 30pin Reel



**\*請注意零件大點與凹槽朝橢圓孔！**



W	56.00±0.30	P	16.00±0.10	A0	6.00±0.10	B0	41.30±0.10
S	52.40±0.10	P0	4.00±0.10	A1	5.50±0.10	B1	
E	1.75±0.10	P2	2.00±0.15	A2		B2	
F	26.20±0.15	D0	∅1.50±0.10	K0	8.00±0.10		
T	0.40±0.05	D1		K1	6.70±0.10	COLOR	:BK/ANT

**All Connectors**

www.allconnectors.de  
Tel.: 0049 711 7009503  
70794 Filderstadt - Germany

info@allconnectors.de  
Fax: 0049 711 7009504  
Kettenerstr. 25

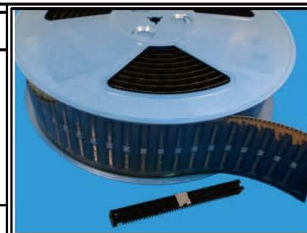
**RoHS Compliant**

DRAWING BY CY  
CHECKED BY GENIUS  
UNIT/mm SCALE 1:1  
DATE  
SIZE A4

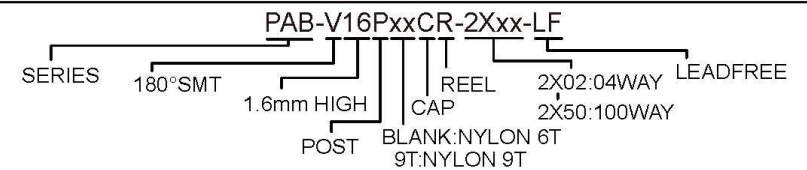
TOLERANCES ARE

X ±  
.X ±  
.XX ±  
.XXX ±  
ANG ±

PJECTION

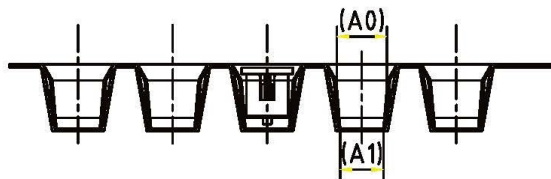
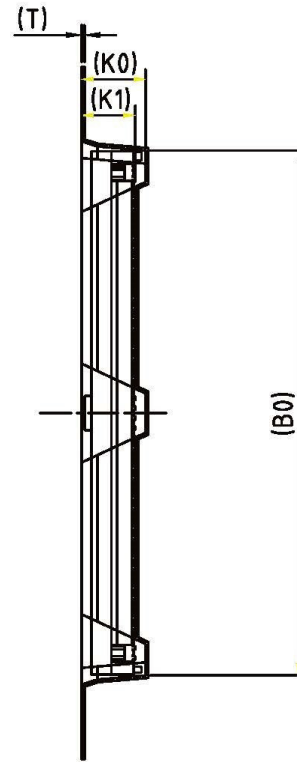
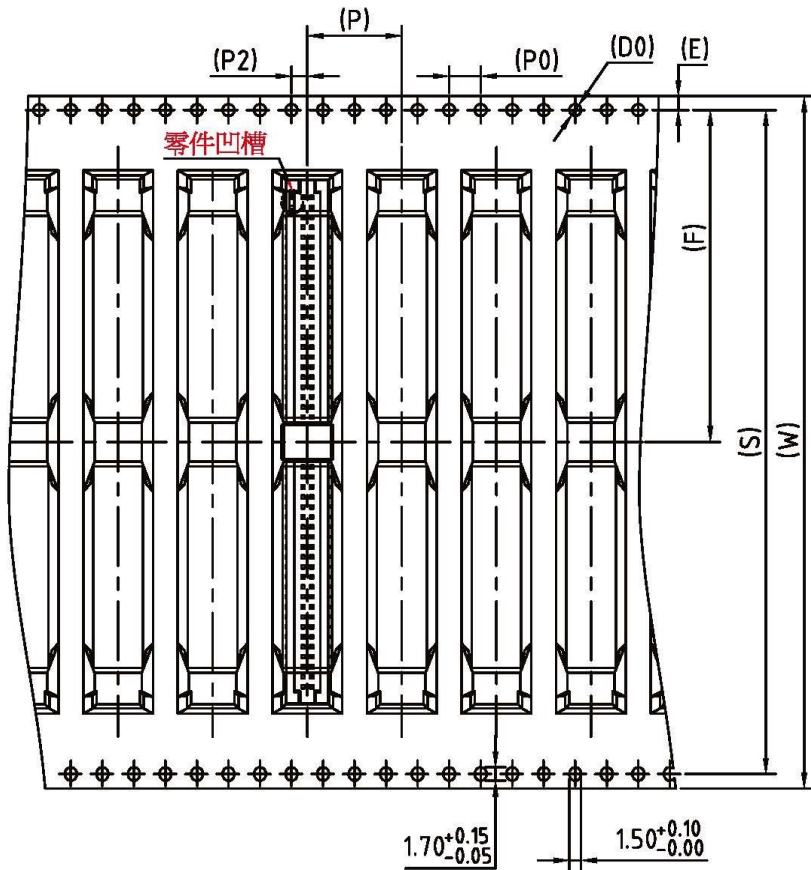


ORDER INFORMATION



DESCRIPTION: 60pin Reel





\*請注意! 零件凹槽, 須朝圓孔擺放!

W	88.00±0.30	P	12.00±0.10	A0	6.30±0.10	BO	66.70±0.10
S	84.40±0.10	P0	4.00±0.10	A1	5.50±0.10		
E	1.75±0.10	P2	2.00±0.20				
F	42.20±0.30	D0	∅1.50±0.10	K0	8.10±0.10		
T	0.35±0.05			K1	6.80±0.10	COLOR : BK/ANT	

**All Connectors**

www.allconnectors.de info@allconnectors.de  
Tel.: 0049 711 7009503 Fax: 0049 711 7009504  
70794 Filderstadt - Germany Kettnerstr. 25

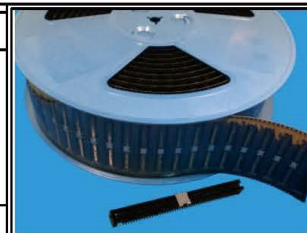
**RoHS Compliant**

DRAWING BY CY  
CHECKED BY GENIUS  
UNIT/ mm SCALE 1 : 1  
DATE  
SIZE A4

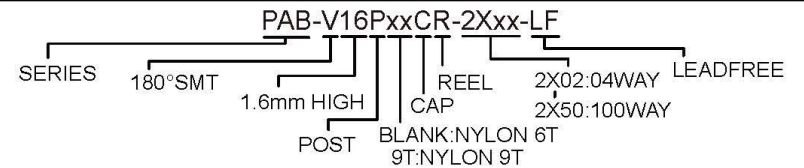
TOLERANCES ARE

X ±  
.X ±  
.XX ±  
.XXX ±  
ANG ±

PJECTION



ORDER INFORMATION



DESCRIPTION: 100pin Reel