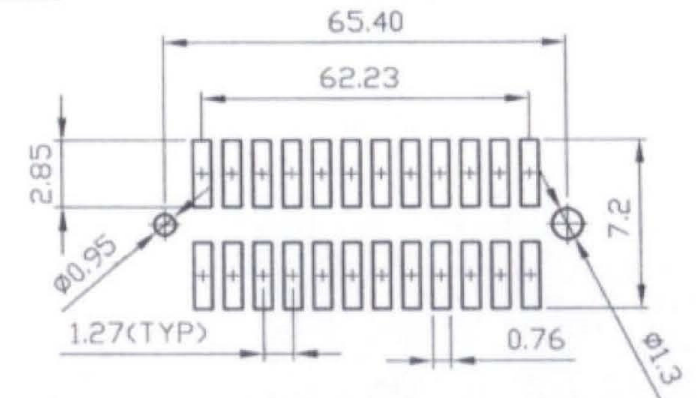
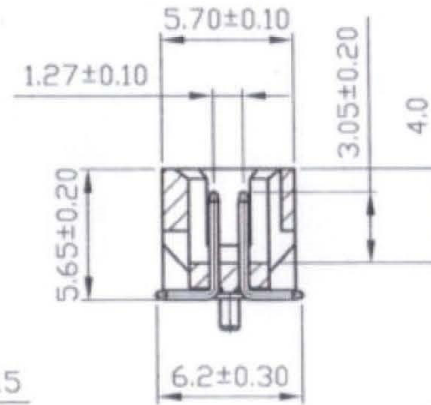
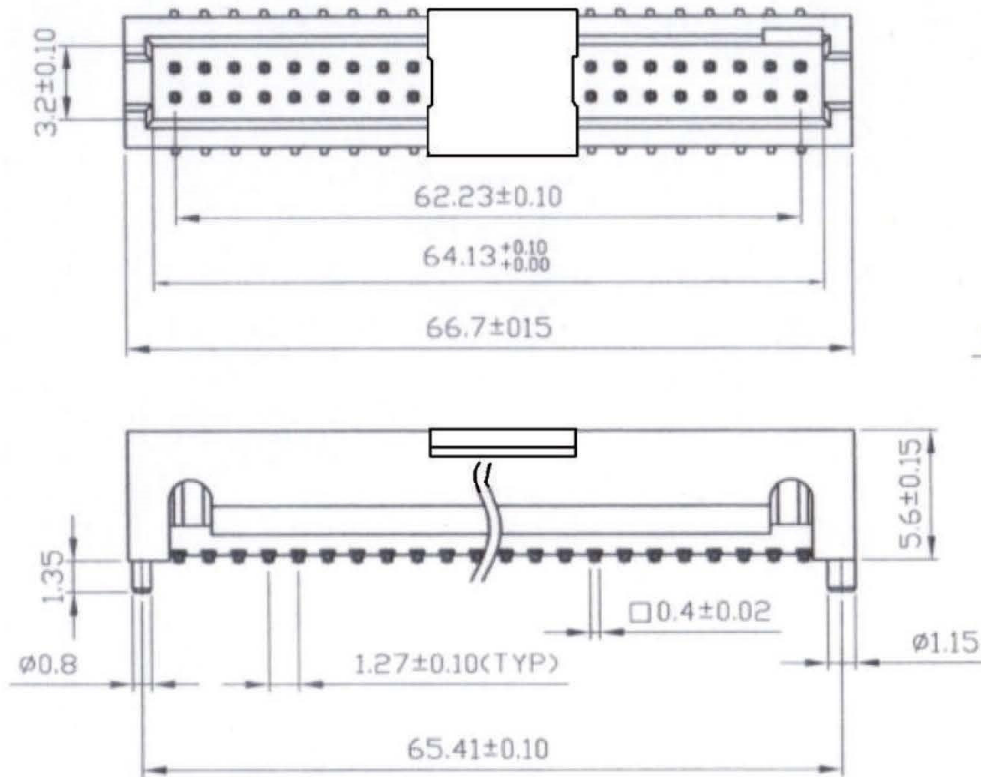


1. SPECIFICATIONS

Current rating : 1Amp
 Insulator resistance : 5000 Megohms min.
 Dielectric withstanding : AC 500V
 Operating temperature : -40° ~ +105°C
 Max. processing : 230°C for 10 seconds
260°C for 3-5 Seconds*

2. MATERIAL

Contact : Copper alloy
 Insulator : Nylon 9T
 Thermoplastic UL 94V-0
 Color : black
 Finish : Gold flash all over
 Cap :



Recommended P.C. Board hole layout

All connectors

www.allconnectors.de info@allconnectors.de
 Tel.: 0049 711 7009503 Fax: 0049 711 7009504
 70794 Filderstadt - Germany Kettnerstr. 25

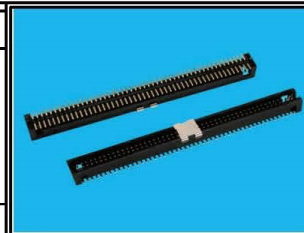
RoHS Compliant

TOLERANCES ARE

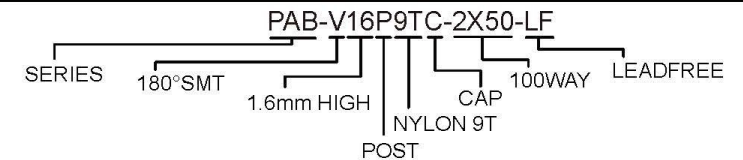
DRAWING BY CY
 CHECKED BY GENIUS
 UNIT/mm SCALE 1:1
 DATE
 SIZE A4

X ±
 X ±
 .XX ±
 .XXX ±
 ANG ±

P PROJECTION



ORDER INFORMATION



DESCRIPTION: