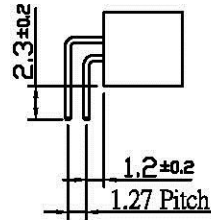
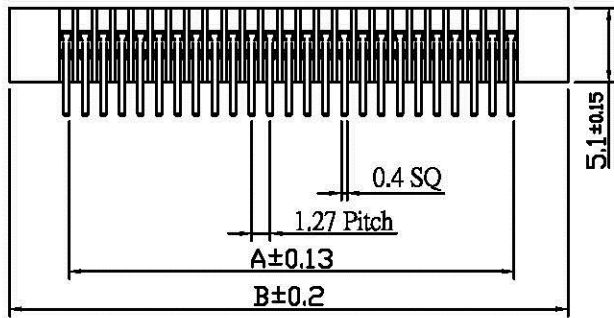
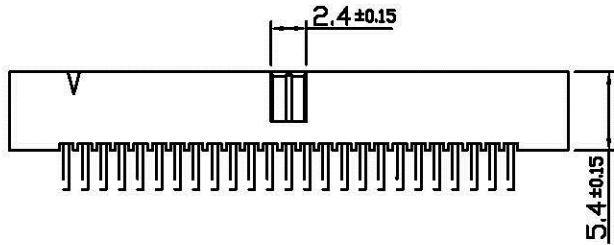
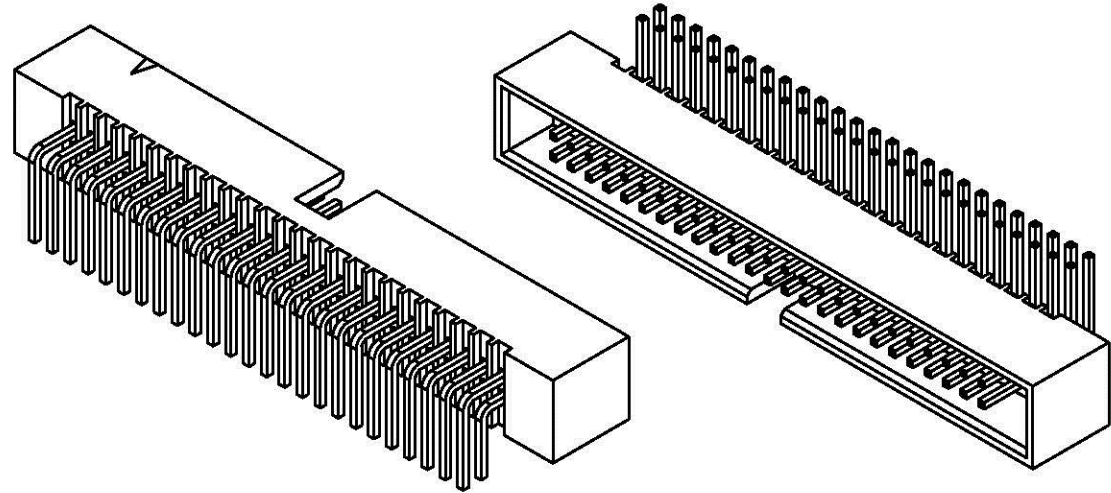


Contract:

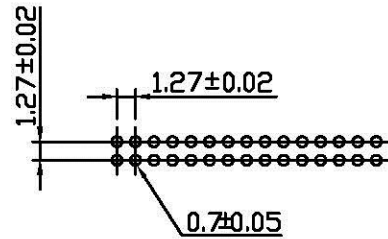
Contact: Brass.

Insulator: LCP.

Finish: Gold flash plated over nickel.



HAB-R-xxx-LF
LEADFREE
RoHS Compliant



P.C.Board Layout

| Circuits | Dimension | |
|----------|-----------|-------|
| | A | B |
| 6 | 2.54 | 10.11 |
| 10 | 5.08 | 12.65 |
| 12 | 6.35 | 13.92 |
| 14 | 7.62 | 15.19 |
| 16 | 8.89 | 16.46 |
| 20 | 11.43 | 19.00 |
| 26 | 15.24 | 22.81 |
| 30 | 17.78 | 25.35 |
| 34 | 20.32 | 27.89 |
| 40 | 24.13 | 31.70 |
| 50 | 30.48 | 38.05 |
| 60 | 36.83 | 44.40 |
| 68 | 41.91 | 49.48 |
| 80 | 49.53 | 57.10 |
| 100 | 62.23 | 68.90 |

Allconnectors

www.allconnectors.com
Tel: 0049 711 2009450
30734 Hülserstadt - Germany

Info@allconnectors.com
Fax: 0049 711 2009450
Kettelerstr. 25

PART NO. HAB-R-xxx

DWG NO. HAB-R-xxx

FILE NO.

UNIT / mm

SCALE 1:1

CHECKED BY CY

DRAWING BY

PROJECTION

TOLERANCES ARE

.X ± 0.2
.XX ±
XXX ±
AWG

DESCRIPTION: 1.27-1.27 Pitch Box Header Right Angle

AREA

REVISIONS

HK

DATE