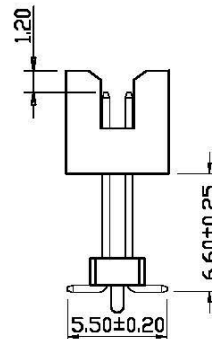
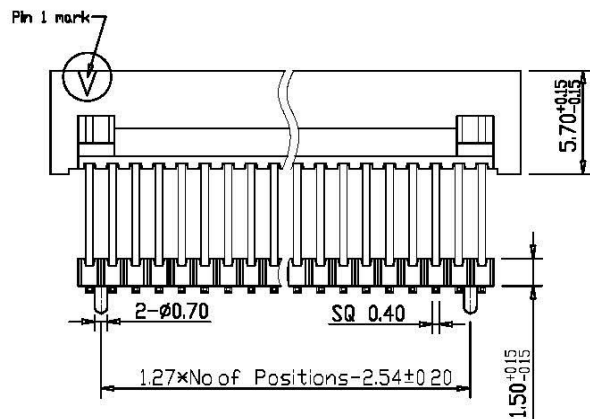
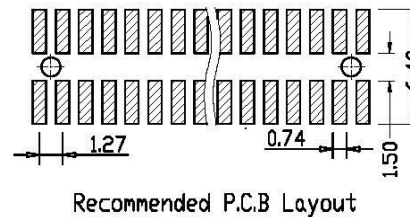
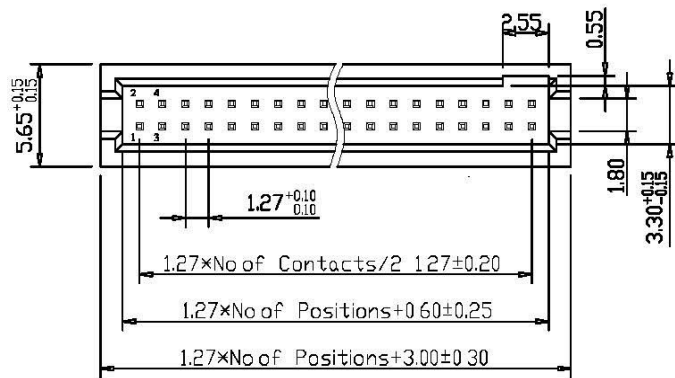


1. 27mm PITCH BOX HEADER, SHROUDED TERMINAL STRIP ELEVATED, STRAIGHT ANGLE, DOUBLE ROW, ROHS COMPLIANT



Material Information:

Terminal: Brass
 Insulator: PA6T+30%G.F (UL94V-0)
 Plating: Au or Sn plated over 50 U" Ni
 All materials compliant with ROHS

Technical Specifications:

Current Rating: 1A
 Contact Resistance: 20mΩ Max.
 Insulation Resistance: 1000mΩ Min.
 Dielectric Voltage: 500V AC/minute
 Operation Temperature: -40° C to +105° C

Ordering Information

CBM72 - XX XX XX B1 X
 ① ② ③

- ① No. of Contacts: 06 To 64
- ② Plating Option:
 01: Gold Flash Over All
 05: 5U" Gold plated Over All
 10: 10U" Gold Plated Over All
 0S: Tin Plated Over All
- ③ Packing Option:
 A: Plastic Tray B: PE Bag
 C: Tube



www.allconnectors.de
 info@allconnectors.de
 Tel: +0049 711 7009503
 Fax: +0049 711 7009904
 70794 Filkerstadt - Germany
 Keltnerstr. 25

绘图 (DRAWN)

孙高田

投影 (PROJECT)



公差 (TOLERANCE)

料号
(PART NO)

CBM72-XXXXXXB1X

审核 (CHECKED)

刘思晴

单位 (UNIT)

MM

0.0 ± 0.30

品名
(NAME)

1.27筒牛 加塑 立贴

核准 (APPROVE)

比例 (SCALE)

1:1

0.00 ± 0.20

版本 (EDITION)

A

日期 (DATE)

2013/12/14