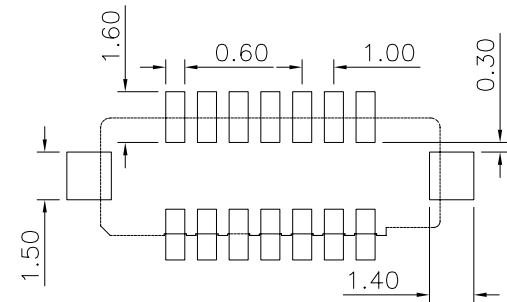


Specifications  $\Delta$   
 Current Rating: 0.5Amp  
 Insulation Resistance: 550M $\Omega$  Min.  
 Dielectric Withstanding: 200V AC  
 Contact Resistance: 20m $\Omega$  Max.  
 Operating Temperature: -40°C to +105°C

Materials  
 Contact Material: Phosphor Bronze  
 Insulation Material: Polyester, UL 94V-0  
 Nylon 6T  
 All materials must meet Greenconn requirement for environment protection



P.C.B. LAYOUT

**Ordering Information**

BMGSV1 - XX XX 01 X

No. of Pins Per Row 05-15      Standard Plating 01=Gold Flash 02=Gold 3U" 11=Tin XX=Select Plating

Packing T=Tube TP=Tape Reel

GENERAL TOLERANCE	ANGLE TOLERANCE	DESIGN DATE
X. $\pm$	X° $\pm 5'$	Andy2008.08.12
.X $\pm 0.38$	.X° $\pm 2'$	CHECK DATE
.XX $\pm 0.25$	.XX° $\pm 1'$	
.XXX $\pm 0.13$	.XXX° $\pm 0.5'$	APPRO. DATE
UNIT:mm	SCALE 1:1	
A4 $\Phi$	SHEET: 1 of 1	

**Allconnectors**  
 www.allconnectors.eu | info@allconnectors.eu  
 Tel. +49 (0)711 / 358 110 20 | Fax +49 (0)711 / 358 110 25

FILE NAME (品名)	1.0mm Bord To Bord MALE
PART NO (料号)	BMGSV1-XXXX01X
DRAWING NO.(图号)	BMGSV1-01
	REV.A0