

Recommended P.C.Board Hole Layout

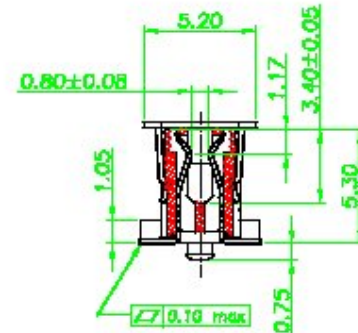
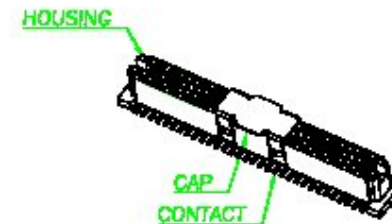
**Specifications**

Current Rating: 1.0 Amps  
 Insulation Resistance: 1000MΩ Min.  
 Dielectric Withstanding: 250V AC  
 Contact Resistance: 30mΩ Max.  
 Operating Temperature: -55°C to +85°C

**Materials**

Contact Material: PHOSPHOR BRONZE T=0.20±0.01  
 Insulation Material: LCP, UL94V-0  
 Shell Material: Stainless steel, T=0.25±0.01

▲ All materials must meet Greencann requirement for environment protection



**Ordering Information**

BFGSV2 - XX XX 01 X

No. of Pins Per Row: 32, 40, 50

Standard Plating:  
 01-Gold Flash  
 02-Gold 3U"  
 11-Tin  
 XX-Select Plating

Packing: 1000pc Roll

GENERAL TOLERANCE	ANGLE TOLERANCE	DESIGN DATE	 www.allconnectors.eu   info@allconnectors.eu Tel. +49 (0)711 / 358 110 20   Fax +49 (0)711 / 358 110 25	
X ±	X' ±5'	Andy2008.08.12		
.X ±0.38	X'' ±2'	CHECK DATE	FILE NAME (品名)	1.0mm Bord To Bord Female
.XX ±0.25	.XXX ±0.5'	APPRO. DATE	PART NO (料号)	BFGSV2-XXXX01X
.XXX ±0.13			DRAWING NO.(图号)	BFGSV2-01
UNIT:mm	SCALE 1:1			REV.A0
A4	SHEET: 1 of 1			