

RECOMMENDED P.C.BOARD LAYOUT

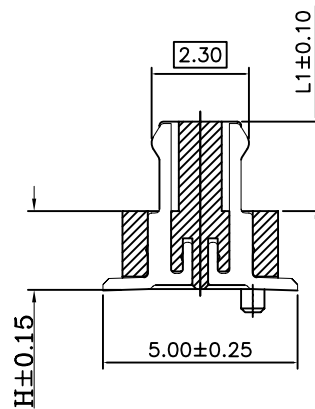
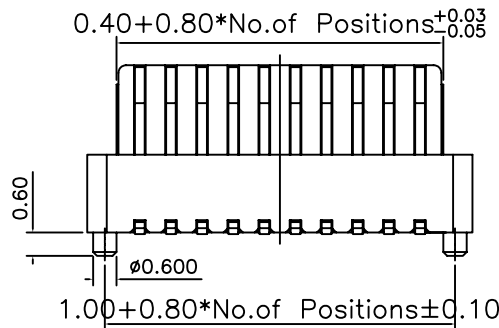
### Specifications

Current Rating: 0.5Amp  
 Insulation Resistance: 1000MΩ Min.  
 Dielectric Withstanding: 300V AC/DC  
 Contact Resistance: 20mΩ Max.  
 Operating Temperature: -40°C to +105°C

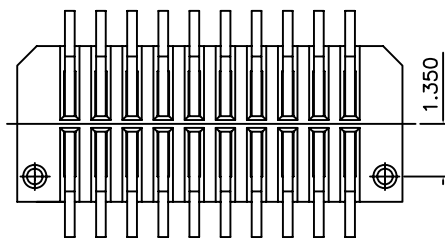
### Materials

Contact Material: Phosphor Bronze  
 Insulation Material: Polyester, UL 94V-0 PA46

All materials must be GP materials



F/M ASSEM HEIGHT	PART NO.	H	L1
4.00H	BMESV40-XX XX 01X	1.0	1.80
4.50H	BMESV45-XX XX 01X	1.5	1.80
5.00H	BMESV50-XX XX 01X	2.0	1.80
5.50H	BMESV55-XX XX 01X	2.0	2.30
6.00H	BMESV60-XX XX 01X	2.5	2.30
6.50H	BMESV70-XX XX 01X	3.0	2.30
7.00H			



### Ordering Information

BMESVX - XX XX 01 X

No. of Pins Per Row  
04-25

Standard Plating  
 01=Gold Flash  
 02=Gold 3U"  
 11=Tin  
 XX=Select Plating

Packing  
 T=Tube  
 TP=Tape Reel

GENERAL TOLERANCE	ANGLE TOLERANCE	DESIGN DATE	All Connectors	
X. ±	X° ±5'	Andy2008.08.12	www.allconnectors.eu   info@allconnectors.eu Tel. +49 (0)711 / 358 110 20   Fax +49 (0)711 / 358 110 25	
.X ±0.38	.X° ±2'	CHECK DATE	FILE NAME (品名)	0.8mm Bord To Bord MALE
.XX ±0.25	.XX° ±1'	APPRO. DATE	PART NO (料号)	BMESVX-XXXX01X
.XXX ±0.13	.XXX° ±0.5'	A4	DRAWING NO.(图号)	BMESVX-01
UNIT:mm	SCALE 1:1	SHEET: 1 of 1		REV.A0