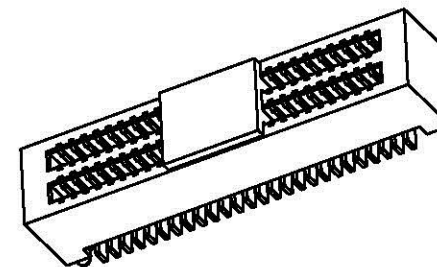


Mating Height Draw

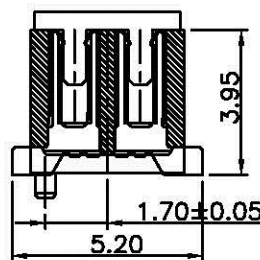
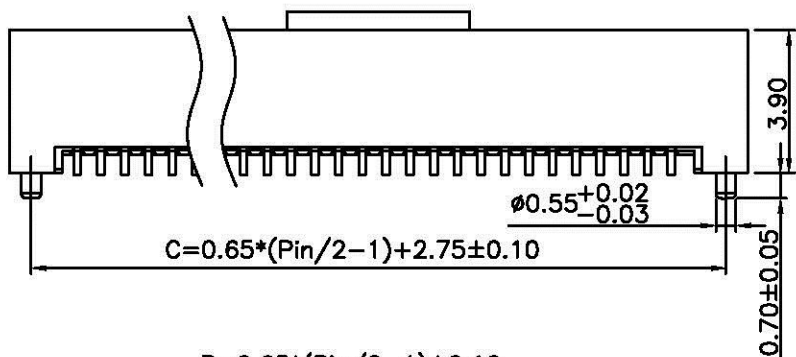


Specifications

1. Current Rating : 0.5A AC/DC
2. Voltage Rating : 60V AC/DC
3. Contact Resistance : 80m ohm. max.
4. Insulation Resistance : 1000M ohm. min.at 100V DC
5. Withstanding Voltage : 150V AC for one minute
6. Operating Temperature Range : -55° C to +85° C

Material and Plating

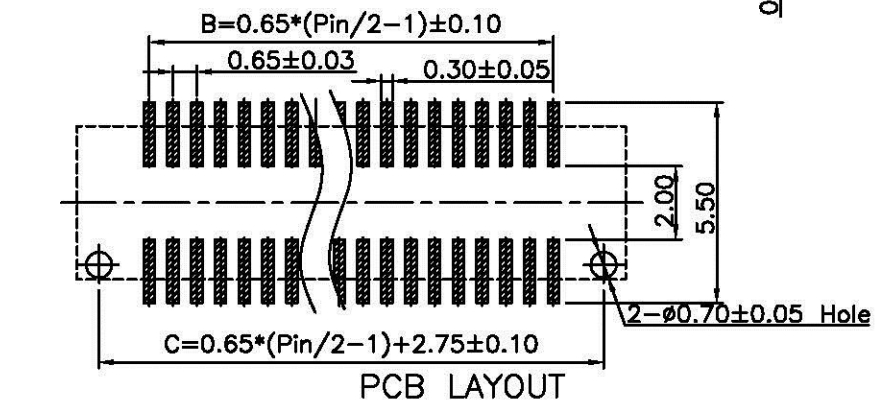
1. Housing : High Temp Plastic UL94V-0
2. Contact : Phosphor Bronze
3. Plating : Gold Plating



NP065K-S39PC-xxx-LF

LEADFREE

RoHS Compliant



**Contact Dimension

Contact	DIM. A	DIM. B	DIM. C
10	6.55	2.60	5.35
20	9.80	5.85	8.60
30	13.05	9.10	11.85
40	16.30	12.35	15.10
50	19.55	15.60	18.35
52	20.20	16.25	19.00

Allconnectors

PART NO. NP065K-S39PC-xxx

DWG NO. NP065K-S39PC-xxx

FILE NO.

UNIT / mm

SCALE 1:1

CHECKED BY CY

DRAWING BY

PROJECTION

TOLERANCES ARE

.X ± 0.2
.XX ±
XXX ±
AWG

DESCRIPTION:

0.65mm Board To Board
3.90mm Height Female

AREA

REVISIONS

HK

DATE

www.allconnectors.de
Tel.: 0049 711 7009501
70724 Filderstadt - Germany

info@allconnectors.de
Fax: 0049 711 7009504
Kettlagerstr. 25