

SPECIFICATIONS
 Current Rating: 0.4A AC,DC
 Voltage Rating: 100V AC,DC
 Temperature Range: -25°C ~ +85°C
 Contact Resistance: 45mΩ Max.
 Insulation Resistance: 1000MΩ Min.
 Withstanding Voltage: 300V AC/minute
 Pin Material: Phosphor Bronze/
 Tin-plated on solder area,
 Gold-flash on contact area
 Housing: Nylon 6T,UL94V-0

Ordering Information & Dimensions

PART NO.	Dimensions		
	A	B	C
FX8-S21PR-060	17.40	24.60	22.20
FX8-S21PR-080	23.40	30.60	28.20
FX8-S21PR-100	29.40	36.60	34.20

SUGGESTED PCB LAYOUT
(COMPONENT SIDE)

All Connectors

www.allconnectors.de info@allconnectors.de
 Tel.: 0049 711 7009503 Fax: 0049 711 7009504
 70794 Filderstadt - Germany Kettenerstr. 25

RoHS Compliant

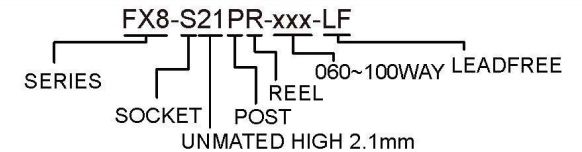
DRAWING BY CY
 CHECKED BY GENIUS
 UNIT/ mm SCALE 1:1
 DATE
 SIZE A4 PROJECTION

TOLERANCES ARE

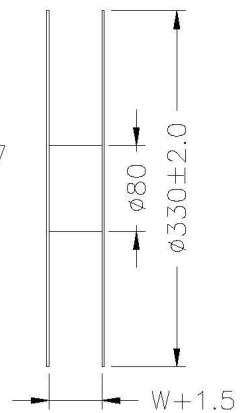
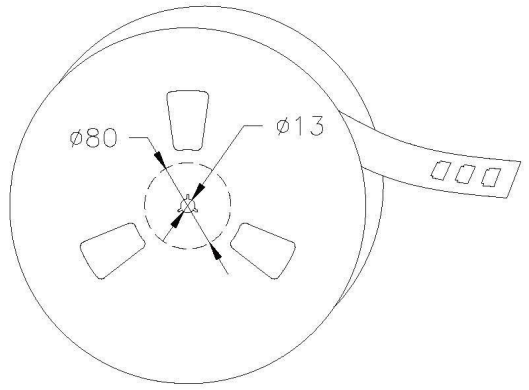
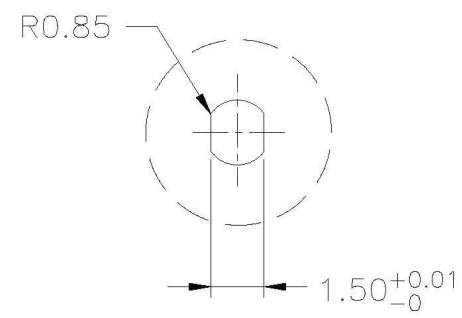
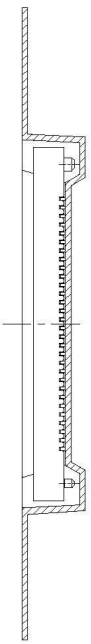
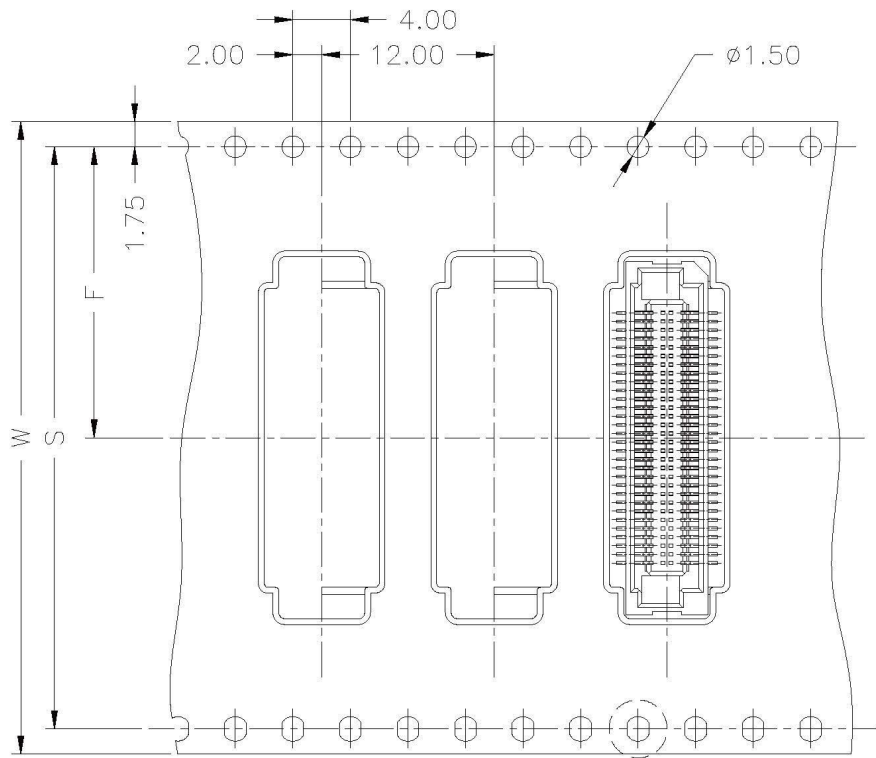
X ±
 .X ±
 .XX ±
 .XXX ±
 ANG ±



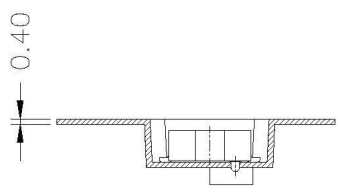
ORDER INFORMATION



DESCRIPTION: 0.60mm PITCH BOARD TO BOARD CONNECTOR, SMT TYPE, HEIGHT:3.0mm



Unreeling direction →



Number of Contacts	W±0.3	F±0.1	S±0.1	Q'ty/Reel
60P	44	20.20	40.40	1,000
80P	44	20.20	40.40	1,000
100P	44	20.20	40.40	1,000

All Connectors
 www.allconnectors.de
 Tel.: 0049 711 7009503
 70794 Filderstadt - Germany

RoHS Compliant

info@allconnectors.de
 Fax: 0049 711 7009504
 Kettenerstr. 25

DRAWING BY CY
CHECKED BY GENIUS

UNIT / mm SCALE 1 : 1

DATE PROJECTION

SIZE A4

TOLERANCES ARE
 X ±
 .X ±
 .XX ±
 .XXX ±
 ANG ±



ORDER INFORMATION

FX8-S21PR-xxx-LF

SERIES SOCKET POST REEL LEADFREE

UNMATED HIGH 2.1mm

DESCRIPTION: