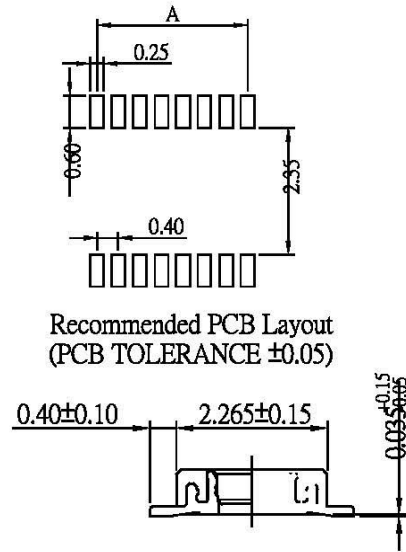
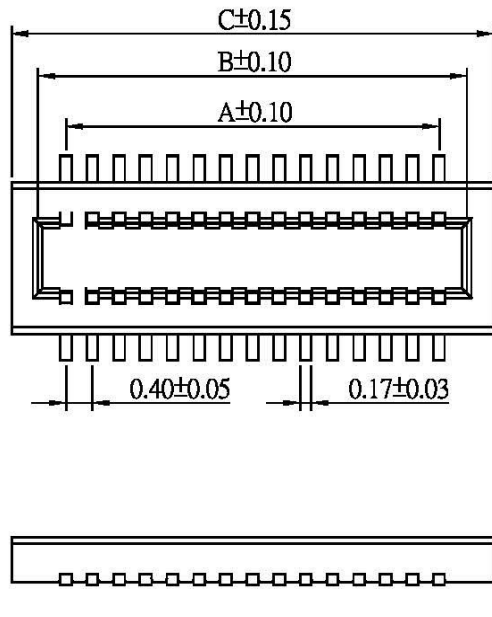


0.4mm PITCH BOARD TO BOARD CONNECTOR, SOCKET, SMD
 BODY HEIGHT=0.675mm, ROHS COMPLIANT



Recommended PCB Layout
 (PCB TOLERANCE ±0.05)

No. of Contacts	Dim. A	Dim. B	Dim. C	No. of Contacts	Dim. A	Dim. B	Dim. C
10	1.60	2.43	3.23	46	8.80	9.63	10.43
12	2.00	2.83	3.63	48	9.20	10.03	10.83
14	2.40	3.23	4.03	50	9.60	10.43	11.23
16	2.80	3.63	4.43	52	10.00	10.83	11.63
18	3.20	4.03	4.83	54	10.40	11.23	12.03
20	3.60	4.43	5.23	56	10.80	11.63	12.43
22	4.00	4.83	5.63	58	11.20	12.03	12.83
24	4.40	5.23	6.03	60	11.60	12.43	13.23
26	4.80	5.63	6.43	62	12.00	12.83	13.63
28	5.20	6.03	6.83	64	12.40	13.23	14.03
30	5.60	6.43	7.23	66	12.80	13.63	14.43
32	6.00	6.83	7.63	68	13.20	14.03	14.83
34	6.40	7.23	8.03	70	13.60	14.43	15.23
36	6.80	7.63	8.43	72	14.00	14.83	15.63
38	7.20	8.03	8.83	74	14.40	15.23	16.03
40	7.60	8.43	9.23	76	14.80	15.63	16.43
42	8.00	8.83	9.63	78	15.20	16.03	16.83
44	8.40	9.23	10.03	80	15.60	16.43	17.23

Material Information:

Terminal: Phosphor Bronze
 Insulator: LCP Standard (UL94V-0)
 Plating: Gold plated
 All materials compliant with ROHS

Technical Specifications:

Current Rating: 0.3A
 Contact Resistance: 90mΩ Max.
 Insulation Resistance: 100mΩ Min.
 Dielectric Voltage: 50V AC/minute
 Operation Temperature: -25° C to +85° C

BSH - 04SM XX XX C2 X
 ① ② ③

- ① No. of Contacts: 10 To 80
- ② Plating Option:
 01: Gold Flash Over All
 05: 5U' Gold plated Over All
 10: 10U' Gold Plated Over All
- ③ Packing Option:
 C: Tube D: Reel



www.allconnectors.de
 info@allconnectors.de
 TEL: 0049 711 7009903
 Fac: 0049 711 7009904
 70734 Filderstadt - Germany
 Kettenwegstr. 25

绘图 (DRAWN) 孙高田
 审核 (CHECKED) 刘思晴
 核准 (APPROVE)

投影 (PROJECT) 孙高田
 单位 (UNIT) MM
 比例 (SCALE) 1:1
 版本 (EDITION) A
 日期 (DATE) 2013/12/14

公差 (TOLERANCE) 0.0 ± 0.30
 0.00 ± 0.20

料号 (PART NO) BSH-04SMXXXXC2X
 品名 (NAME) 0.4板对板 母座 贴片