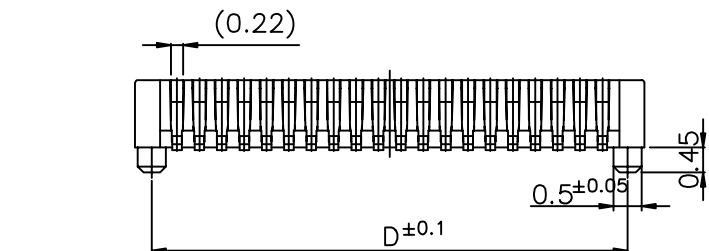
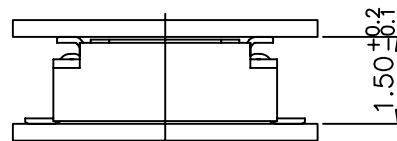
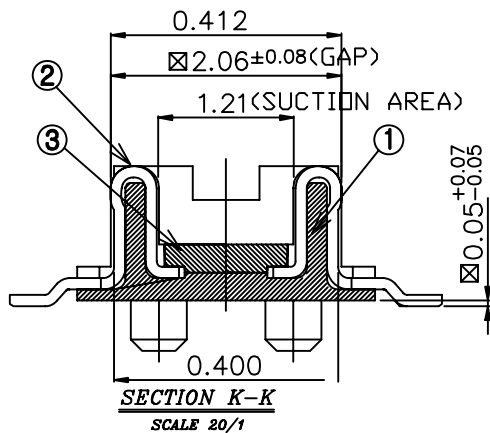


**MOUNTING PATTERN LAYOUT**



**NOTE**

1. MATERIAL : SEE NOTE
2. TER'L CUT BURR:0.05 mm Max.



**MATING CONTACT SECTION**  
SCALE 10/1

80	BFCSVX -8002	BMCSVX -8002	15.6	18.1	17.2
70	BFCSVX -7002	BMCSVX -7002	13.6	16.1	15.2
60	BFCSVX -6002	BMCSVX -6002	11.6	14.1	13.2
50	BFCSVX -5002	BMCSVX -5002	9.6	12.1	11.2
40	BFCSVX -4002	BMCSVX -4002	7.6	10.1	9.2
36	BFCSVX -3602	BMCSVX -3602	6.8	9.3	8.4
34	BFCSVX -3402	BMCSVX -3402	6.4	8.9	8.0
30	BFCSVX -3002	BMCSVX -3002	5.6	8.1	7.2
24	BFCSVX -2402	BMCSVX -2402	4.4	6.9	6.0
20	BFCSVX -2002	BMCSVX -2002	3.6	6.1	5.2
CKT	NON BOSS	BOSS TYPE	A	B	C

2	TERMINAL	MC16102-1533	Beryllium Copper	Au Plating over Nickel
1	HOUSING	MC14X02-XX43	LCP(UL94V-0)	COLOR:BLACK
NO	DESCRIPTION	FNG NO	MATERIAL	RFMARK

GENERAL TOLERANCE	ANGLE TOLERANCE	DESIGN DATE	<b>All Connectors</b> www.allconnectors.eu   info@allconnectors.eu Tel. +49 (0)711 / 358 110 20   Fax +49 (0)711 / 358 110 25	
X. ± 0.38 .XX ± 0.25 .XXX ± 0.13	X° ± 5° .X° ± 2° .XX° ± 1° .XXX° ± 0.5°	Andy2008.08.12		
UNIT:mm	SCALE 1:1	CHECK DATE	FILE NAME (品名)	0.4mm Bord To Bord Male H=1.5MM
A4	SHEET: 1 of 1	APPRO. DATE	PART NO (料号)	BMCSVX-XXXX01X
			DRAWING NO.(图号)	BMCSVX-01
				REV.AO