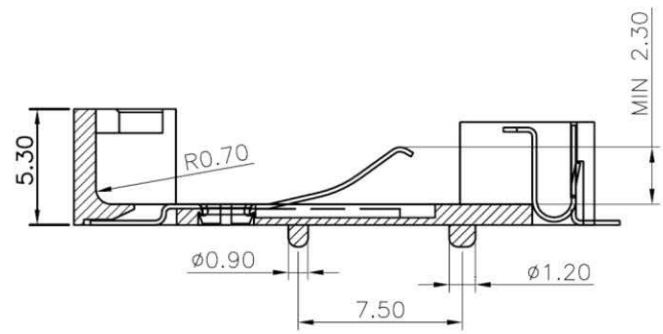
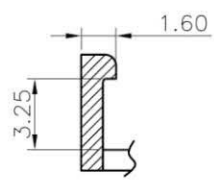


RECOMMENDED PCB LAYOUT

- NOTES:
1. DIMENSIONS ARE IN MILLIMETER
 2. MATERIAL:
 PLASTIC PART: PPS+30%G.F_BROWN.
 CONTACT: PHOSPHOR BRONZE
 3. FINISH:
 CONTACT: GOLD PLATED ALL OVER THE FACE
 4. ACCORDING TO THE ENVIRONMENTAL REQUIREMENT,
 WE GUARANTEE THE CONTROLLED HAZARDOUS SUBSTANCES
 MEET RoHS REQUIREMENT.



SECTION A-A



SECTION B-B

All Connectors

www.allconnectors.de info@allconnectors.de
 Tel.: 0049 711 7008508 Fax: 0019 711 7008501
 70734 Filderstadt - Germany Kettenwerstr. 25

RoHS Compliant

DRAWING BY CY		TOLERANCES ARE
CHECKED BY GENIUS		
UNIT / mm	SCALE 1 : 1	X ±
DATE		X ±
SIZE A4	P PROJECTION	.XX ±
		.XXX ±
		ANG ±



ORDER INFORMATION

BTH-V53P-20-LF
 SERIES | | | LEADFREE
 | | | CR 2032
 | | | POST
 | | | HIGH 5.3mm
 | | | 180°SMT

DESCRIPTION: