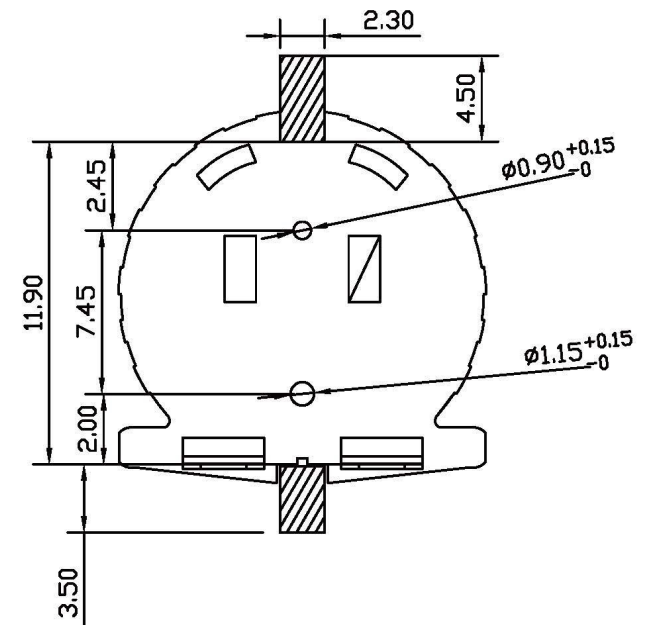


SECTION A-A



P. C. B LAYOUT

NOTES:

1. MATERIAL:
  - a. HOUSING: PPS UL94 V-0
  - b. CONTACT: PHOSPHOR BRONZE.  
(SURFACE PLATING: Sn100u" + Ni50u")
2. ELECTRIC:
  - a. CONTACT RESISTANCE: 30 MLLIOHMS MAX
  - b. INSULATION RESISTANCE: 1000MEGA OHMS MIN
  - c. DIELECTNIC VOLTAGE: 500V AC ONE SEC LEVEL
  - d. OPERATING TEMPERATURE: -55°C-105°C
3. Applicable : Battery CR1220

**All Connectors**

www.allconnectors.de info@allconnectors.de  
Tel.: 0049 711 7009503 Fax: 0049 711 7009504  
70794 Filderstadt - Germany Kettnerstr. 25

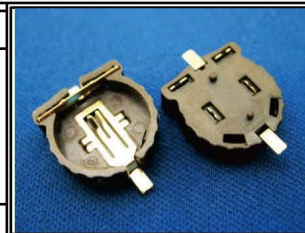
**RoHS Compliant**

DRAWING BY CY  
CHECKED BY GENIUS  
UNIT/ mm SCALE 1:1  
DATE  
SIZE A4

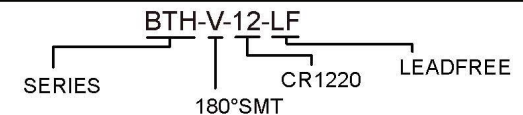
TOLERANCES ARE

X ±  
.X ± 0.25  
.XX ± 0.13  
.XXX ± 0.05  
ANG ±

P PROJECTION



ORDER INFORMATION



DESCRIPTION: BATTERY BOX HOLDER