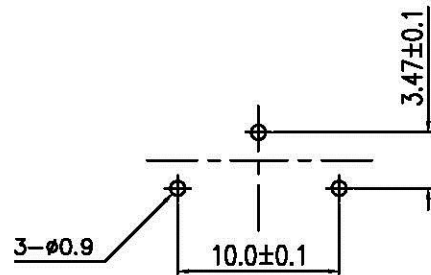
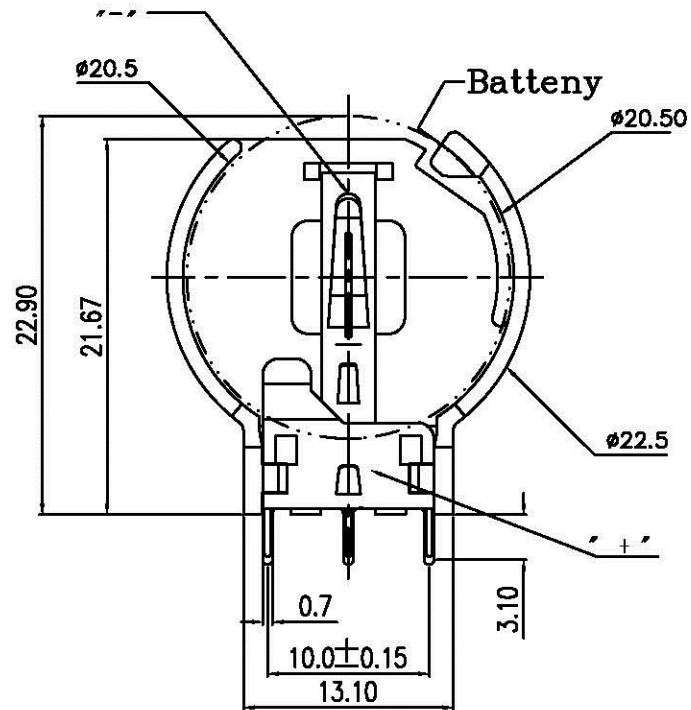


VIEW A
9:1



P.C. BOARD LAYOUT

NOTES:

*** Material**

Body: FR-Nylon With 30% Glass Fiber
Flammability UL 94V-0 Rated.

Color: Black.

Contact: Phosphor Bronze.

Contact: Tin Plated Over Nickel or Copper.

*** Specification**

Application For 3V Lithium Battery.

Dielectric Withstanding Voltage: 500 VDC

Operation Temperature: -55°C To +105°C

Durability: 50 Cycles Min.

Contact Resistance: 30 Milliohms.

All Connectors

www.allconnectors.de
Tel.: 0049 711 7009503
A/751 Hilderstadt - Germany

info@allconnectors.de
Fax: 0049 711 7009504
Kettamerstr. 42

PART NO. BTH-U-20

DWG NO. BTH-U-20

FILE NO.

UNIT / mm

SCALE 1:1

CHECKED BY CY

DRAWING BY

PROJECTION

TOLERANCES ARE

.X ± 0.38
.XX ± 0.25
.XXX ± 0.20
AWG

DESCRIPTION: **Strsight Battery Housing(No Post)**

AREA

REVISIONS

HK

DATE