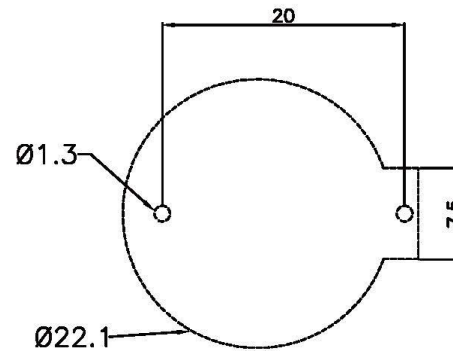
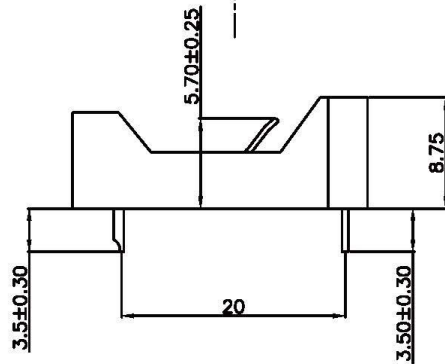
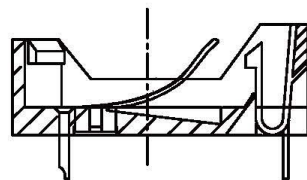


HOUSING: NYLON 46 UL 94V-0
 CONTACT: PHOSPHOR BRONZE
 FINISH: TIN PLATED OVER NICKEL



PCB HOLE LAYOUT



SECTION A-A

Allconnectors

RoHS Compliant

DRAWING BY CY

CHECKED BY GENIUS

UNIT/ mm SCALE 1 : 1

DATE

SIZE A4

TOLERANCES ARE

X. ±

.X ±

.XX ±

.XXX ±

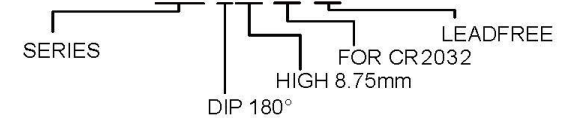
ANG ±

PROJECTION



ORDER INFORMATION

BTH-D87-20-LF



DESCRIPTION:

www.allconnectors.de

Tel.: 0049 711 7009503

70794 Filderstadt - Germany

info@allconnectors.de

Fax: 0049 711 7009504

Kettenerstr. 25