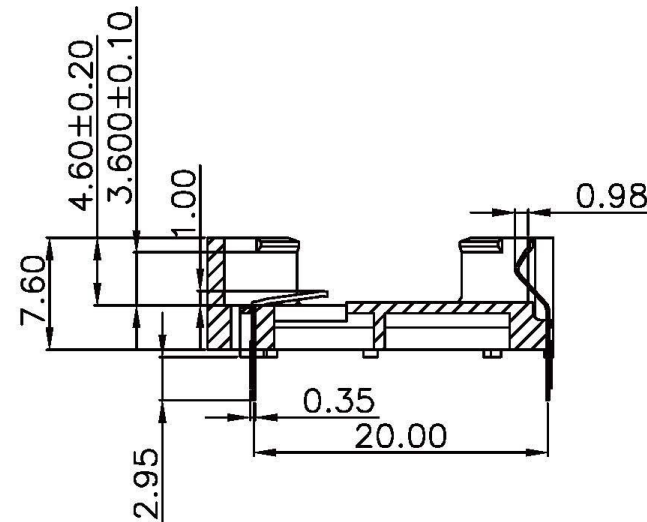
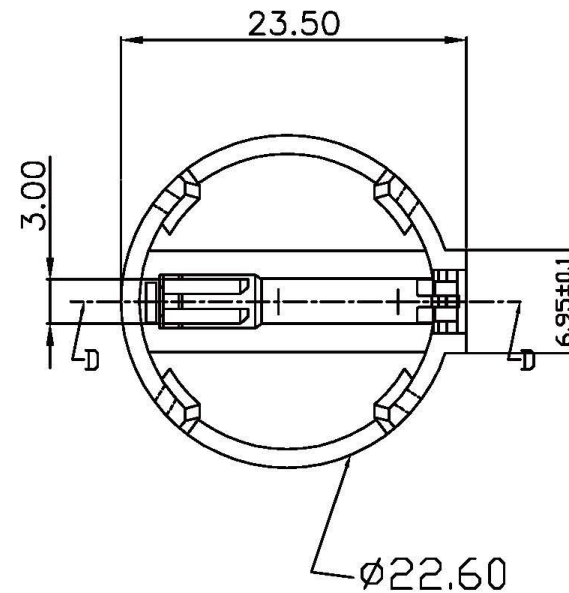


PCB HOLE LAYOUT

HOUSING: NYLON 66+G.F. UL94V-0
 CONTACT: PHOSPHOR BRONZE
 FINISH: TIN PLATED OVER NICKEL



SECTION D-D

Allconnectors

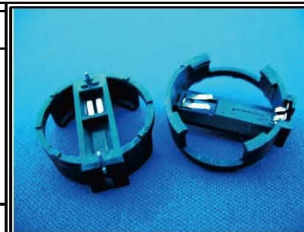
www.allconnectors.de info@allconnectors.de
 Tel.: 0049 711 7009503 Fax: 0049 711 7009504
 70794 Filderstadt - Germany Kettenerstr. 25

RoHS Compliant

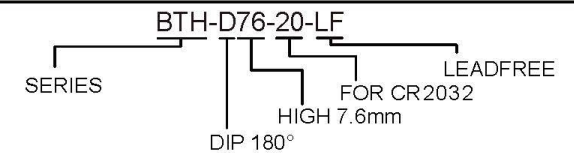
TOLERANCES ARE

DRAWING BY CY	
CHECKED BY GENIUS	
UNIT / mm	SCALE 1 : 1
DATE	
SIZE A4	PJECTION

X. ±
 .X ±
 .XX ±
 .XXX ±
 ANG ±



ORDER INFORMATION



DESCRIPTION: