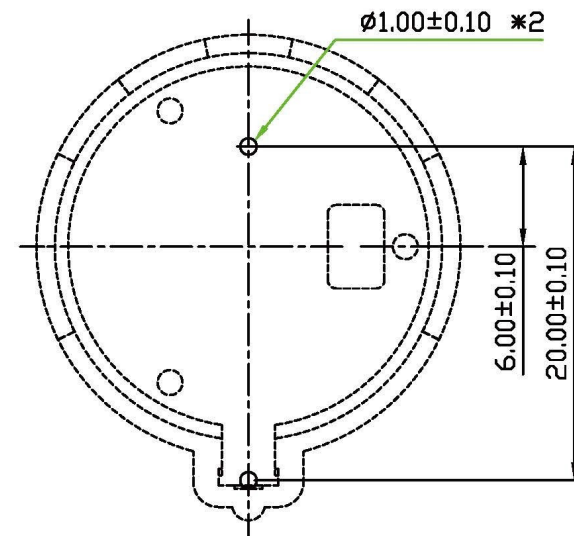


NOTES

1. **MATERIALS:**
 HOUSING-PBT 30%GF UL94V-0.
 CONTACT-PHOSPHOR BRONZE, C5191R-H T=0.6mm.
2. **FLASH: 0.25mm MAX.**
3. **CAMBER: 0.13mm MAX. DEFORMATION: NA.**
WARP: 0.13mm MAX. TWIST: NA.



**RECOMMEND PCB LAYOUT
 COMPONENT SIDE**

PART NO	øA	B	
BTH-D-20	22.8	27.8	FOR CR2032
BTH-D-23	25.4	29.0	FOR CR2325

All Connectors

www.allconnectors.de info@allconnectors.de
 Tel.: 0049 711 7009503 Fax: 0049 711 7009504
 70794 Filderstadt - Germany Kettnerstr. 25

RoHS Compliant

DRAWING BY CY
 CHECKED BY GENIUS
 UNIT / mm SCALE 1 : 1
 DATE
 SIZE A4

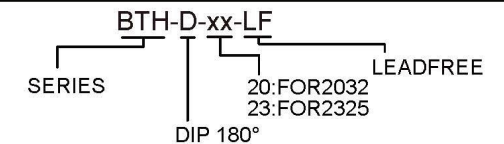
TOLERANCES ARE

X ±
 .X ± 0.25
 .XX ± 0.20
 .XXX ± 0.10
 ANG ± 2°

P PROJECTION



ORDER INFORMATION



DESCRIPTION: **BATTERY HOLDER ASS'Y**