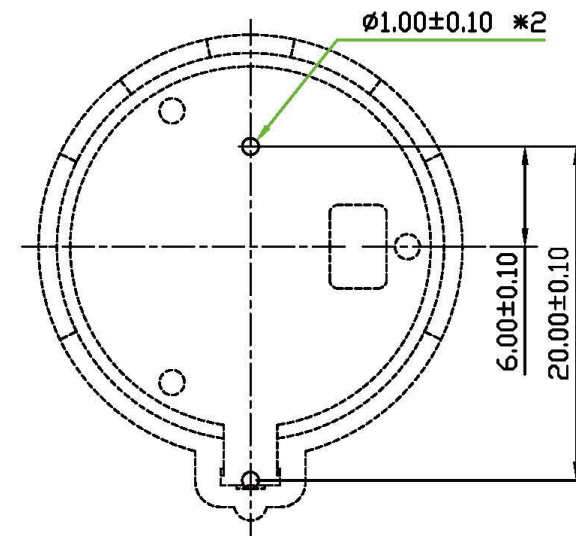


NOTES

- MATERIALS:**
HOUSING-PBT 30%GF UL94V-0.
CONTACT-PHOSPHOR BRONZE, C5191R-H T=0.6mm.
- FLASH: 0.25mm MAX.**
- CAMBER: 0.13mm MAX. DEFORMATION: NA.
WARP: 0.13mm MAX. TWIST: NA.**



RECOMMEND PCB LAYOUT
COMPONENT SIDE

PART NO	ϕA	B	
BTH-D-23	25.4	29.0	FOR CR2325

All Connectors

www.allconnectors.de
Tel.: 0049 711 7003503
70791 Hilderstadt - Germany

info@allconnectors.de
Fax: 0049 711 7003504
Kettnerstr. 25

RoHS Compliant

DRAWING BY CY
CHECKED BY GENIUS
UNIT/mm SCALE 1:1
DATE
SIZE A4

TOLERANCES ARE

X ±
.X ± 0.25
.XX ± 0.20
.XXX ± 0.10
ANG ± 2°

PROJECTION



ORDER INFORMATION

BTH-D-23-LF
SERIES | LEADFREE
FOR CR2325
DIP 180°

DESCRIPTION: **BATTERY HOLDER ASS'Y**