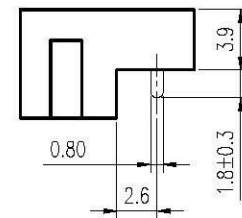
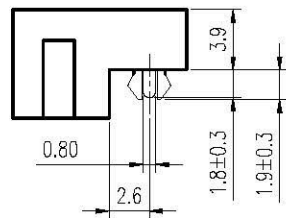
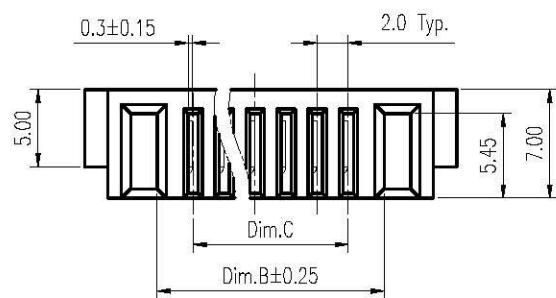


| Part No. | Dim. | Amount of Pins | Dim.A | Dim.B | Dim.C | Dim.D |
|------------------|------|----------------|-------|-------|-------|-------|
| BCT20-SRH039x-03 | 3 | 3 | 15.00 | 8.65 | 4.00 | 10.35 |
| BCT20-SRH039x-04 | 4 | 4 | 17.00 | 10.65 | 6.00 | 12.35 |
| BCT20-SRH039x-05 | 5 | 5 | 19.00 | 12.65 | 8.00 | 14.35 |
| BCT20-SRH039x-06 | 6 | 6 | 21.00 | 14.65 | 10.00 | 16.35 |
| BCT20-SRH039x-07 | 7 | 7 | 23.00 | 16.65 | 12.00 | 18.35 |
| BCT20-SRH039x-08 | 8 | 8 | 25.00 | 18.65 | 14.00 | 20.35 |

Notes:

- Material :
Housing : Thermoplastic UL 94V-0 ,Black
Terminal : Copper Alloy
Forklock : Copper Alloy
- Finish :
Terminal : Selected Gold on Contact Area,
G/F on Solder Tails, Both over
50u" Min. Ni Under-plated Overall.
Forklock : 1u" Min. Gold over 50u" Min.
Ni Under-plated Overall.
- 3 : 5u" Min. Gold on Contact Area



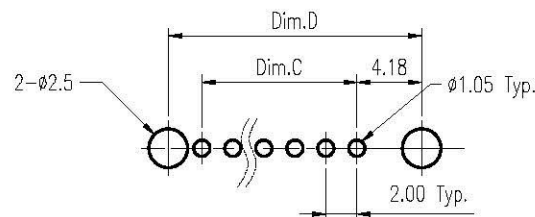
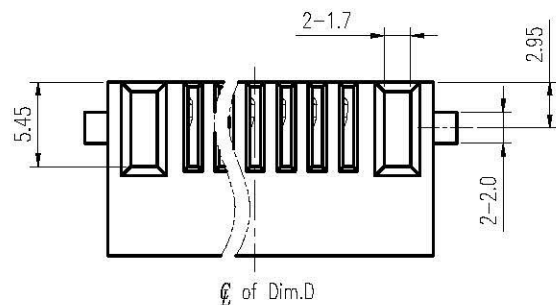
BCT20-SR39Z-xx
With Forklock

BCT20-SR39X-xx
Without Forklock

BCT20-SR039x-xx-LF
LEADFREE

Z: WITH FORKLOCK
X: WITHOUT FORKLOCK

RoHS Compliant



Recommended P.C.B. Layout
Layout Tolerance = ± 0.05 mm

Allconnectors

www.allconnectors.de
Tel.: 0049 711 7000503
70791 Filderstadt - Germany

info@allconnectors.de
Fax: 0049 711 7000504
Kettelerstr. 23

PART NO. BCT20-SR039x-xx

DWG NO. BCT20-SR039x-xx

FILE NO.

UNIT / mm

SCALE 1:1

CHECKED BY CY

DRAWING BY

PROJECTION

TOLERANCES ARE

.X±0.2
.XX±0.1
.XXX±
AWG

DESCRIPTION:

2.0mm Pitch Battery Conn.
Female Type

AREA

REVISIONS

HK

DATE