

**RECOMMEND PCB LAYOUT**

**NOTE:**

**SPECIFICATIONS:**

**1.GENERAL REQUIREMENTS:**

- 1-1 OPERATING TEMPERATURE RANGE:-40°C TO +85°C
- 1-2 STORAGE TEMPERATURE RANGE:-40°C TO +100°C
- 1-3 HUMIDITY RANGE:10%RH TO 80%RH

**2.ELECTRICAL REQUIREMENTS:**

- 2-1 RATED CURRENT(PER CONTACT):  
1.5 AMPS CONTINUOUS 2.3AMPS PULSES
- 2-2 RATED VOLTAGE(PER CONTACT):200 VAMS AT SEA LEVA
- 2-3 INSULATION RESISTANCE(I.R.):1000MEGAOHMS Min.
- 2-4 DIELECTRIC WITHSTANDING VOLTAGE(DWV):500VAC
- 2-5 CONTACT RESISTANCE(PER CONTACT) : 25 MILLIOHMS MAX

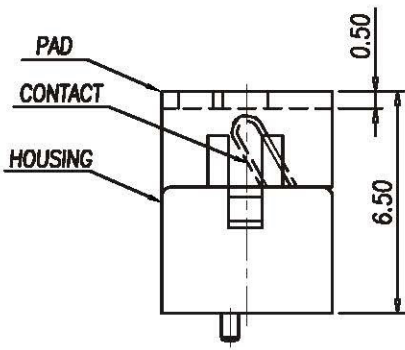
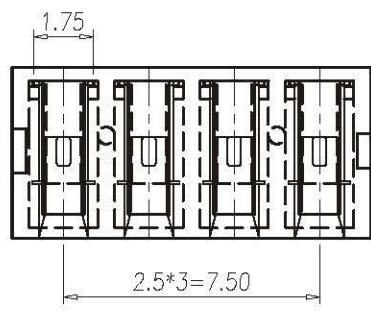
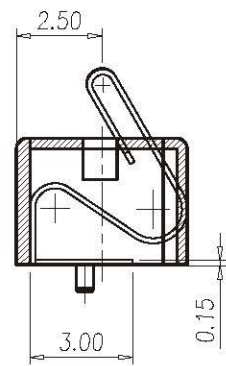
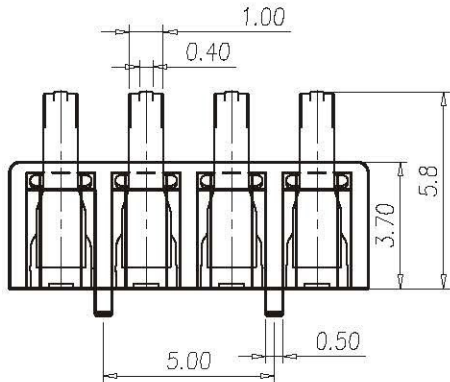
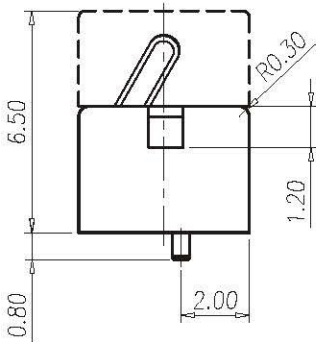
**3.MECHANICAL REQUIREMENTS**

- 3-1 NORMAL FORCE: 140g Max.(FOR DEFLECTION 1.8mm)
- 3-2 DURABILITY(Min.):REUSABLE 10,000 TIMES WITHOUT DEGRADING ELECTRICAL CHARACTERISTICS.
- 3-3 COPLANARITY(Max.): 0.1mm FORM SEATING PLANE

**4.PACKAGING**

- 4-1 TAPE WIDTH: 32 mm
- 4-2 TAPE PITCH: 12 mm

ITEM	DESCRIPTION	MATERIAL	PLATING	Q'TY
1	HOUSING	LCP(E130i)		1
2	PAD	LCP(E130i)		1
3	CONTACT	BERYLLIUM COPPER	CONTACT GOLD 30u" REMNANT GOLD FLASH OVER N850u" $\Delta$	4



BCS25-V37PC-04-LF  
LEADFREE

RoHS Compliant

**Allconnectors**  
 www.allconnectors.de  
 info@allconnectors.de  
 Tel: 0919 711 709509  
 Fax: 0919 711 709504  
 70734 Hilderstadt - Germany  
 Kettnerstr. 2

PART NO. BCS25-V37PC-04

DWG NO. BCS25-V37PC-04

CHECKED BY CY

DRAWING BY

TOLERANCES ARE

- .X±0.2
- .XX±0.1
- .XXX±
- AWG

DESCRIPTION:

4PIN 電池座5.8mm

UNIT / mm

SCALE 1:1

PROJECTION

AREA

REVISIONS

HK

DATE