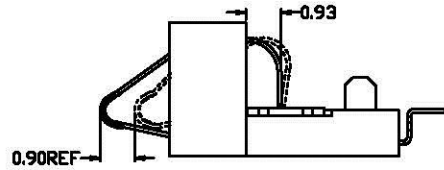


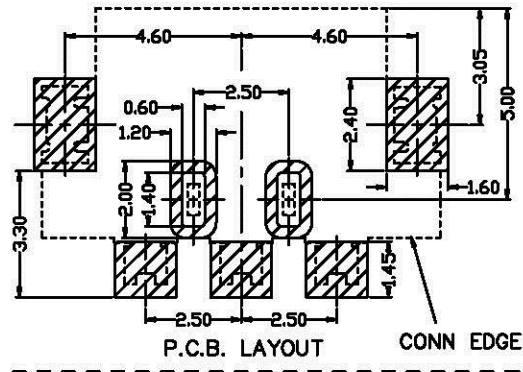
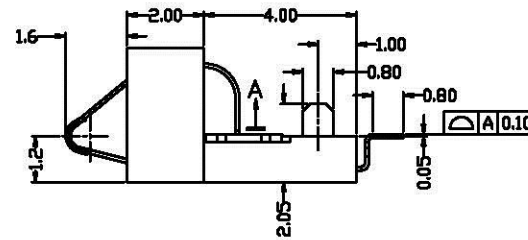
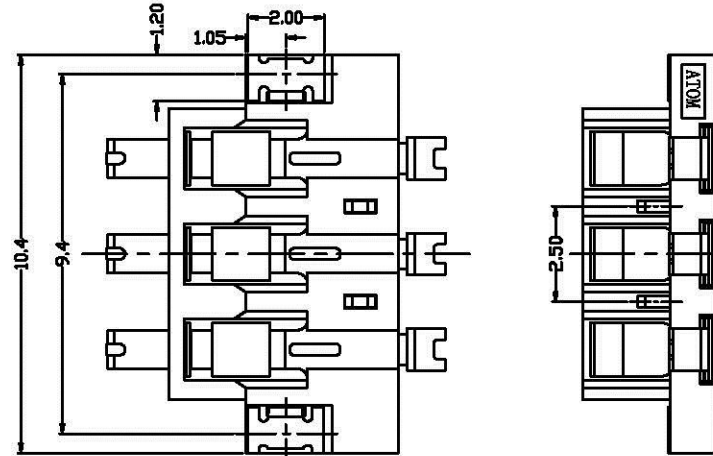
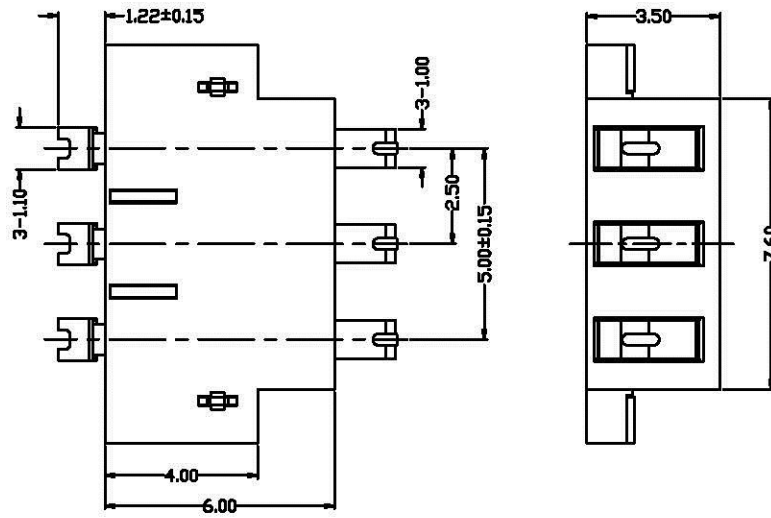
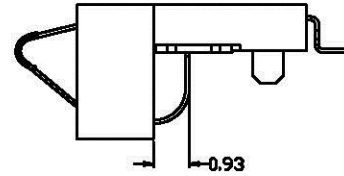
REV.	DATE	ECN NO.	MODIFICATION	APPROVER
A	2012/03/12	/	NEW	Vicky

**SPECIFICATIONS:**

- 1.CURRENT RATING:0.5A 50V AC/DC.
- 2.CONTACT RESISTANCE:60mΩ MAX AT DC 20mA.
- 3.INSULATION RESISTANCE:100MΩ MIN AT 500V DC.
- 4.OPERATION TEMPERATURE RANGE:-25℃ TO+85℃
- 5.HOUSING:PA9T+30%GF UL94V-O BLACK
- 6.TEMINAL:CuBe290-TM04 T=0.10mm, GLOD 8u"PLATED
- 7.GROUND SLICE:BRASS(C2680R-H) T=0.20mm,TIN PLATED
- 8.GO TO SLICE:BRASS(C2680R-H) T=0.30mm,TIN PLATED



USE GUIDE



GENERAL TOLERANCE			UNITS	NAME:
SELECT	✓		mm	电池连接器
ON TOL	1	2	MAT'L	PART NO:
X.XXX	±0.06	±0.15	FINISH	BA25003-E350200
X.XX	±0.10	±0.13	Q'TY	APPD: Vicky
X.X	±0.20	±0.50		CHKD: Emilia
X.	±0.38	±1.00		DR: Doris
ANGLE	±1°			



TITLE: BATTERY 2.5mm 3P H=3.5mm SMT 沉板式

DWG NO. ATOM-A01421

	SCALE	SHEET	REV
	1:1	1/1	A