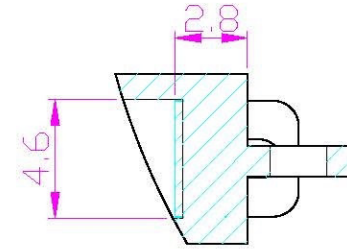
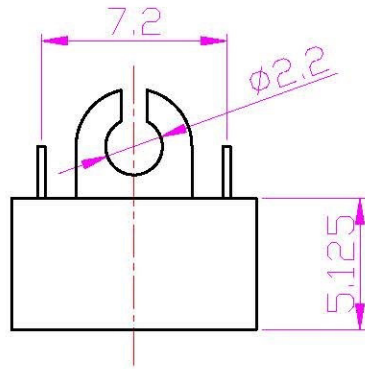


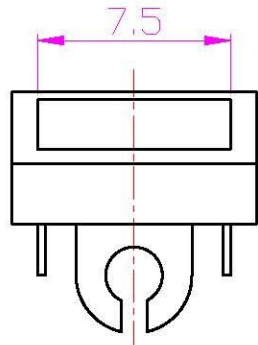
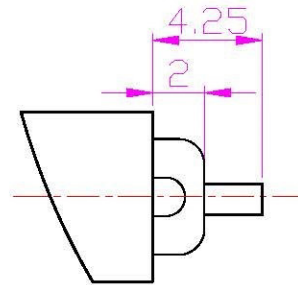
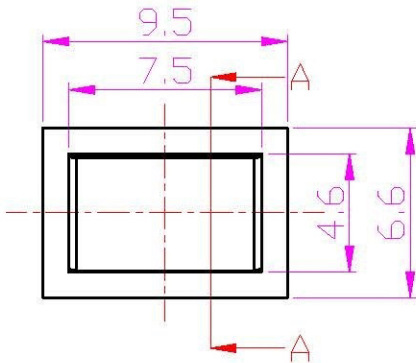
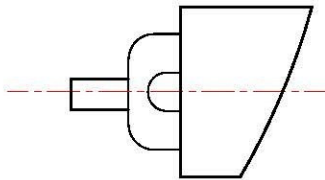
This document is the property of Nan-Yeong Corporation and is delivered on the express condition that it is not to be disclosed, reproduced or used, in whole or in part, for manufacture or sale by anyone other than Nan-Yeong Corporation without its prior consent, and that no right is granted to disclose or to use any information in this document.

CUSTOMER DRAWING

REV.	DESCRIPTION	APPVL. BY	DATE	ECN NO.
A	RELEASE	Fido Weng	26/04/10*	
B	CHANGE DESIGN	Fido Weng	20/07/10*	ECN10093
C				



SECTION A-A



NOTE:

1.MATERIAL:

1-1. HOUSING : LCP UL94V-0 ; COLOR : BLACK

1-2. CONTACT : BRASS

2.PLATING:

2-1. CONTACT : GOLD FLASH ON OVER ALL

DRAW	Yeh Chou	APPVL	Fido Weng	UNIT	mm	TOLERANCE		TITLE	2P 電池插頭式			SHEET	
CHECK	Emily Suen			SCALE	1:1	x ±0.10 xx ±0.05 xxx ±0.03 xxx ±0.01 ANGLE ±1°		www.allconnectors.de Tel.: 0049 711 7005503 70794 Filderstadt - Germany	info@allconnectors.de Fax: 0049 711 7005504 Kellenersstr. 25	PART NO.	HD-02F2-04	DWG NO.	QC4797
												VERSION	B