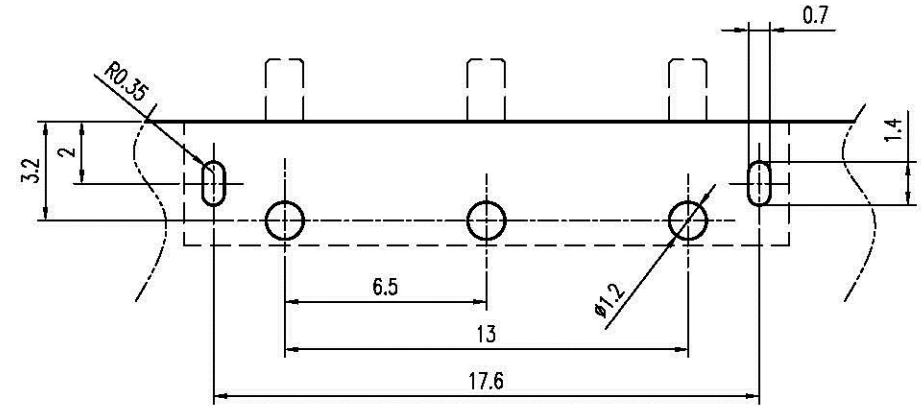
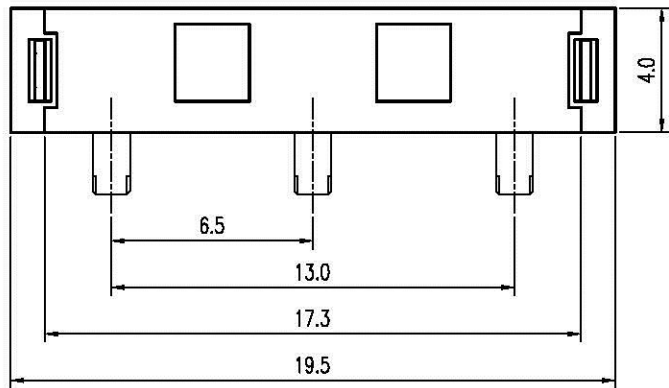
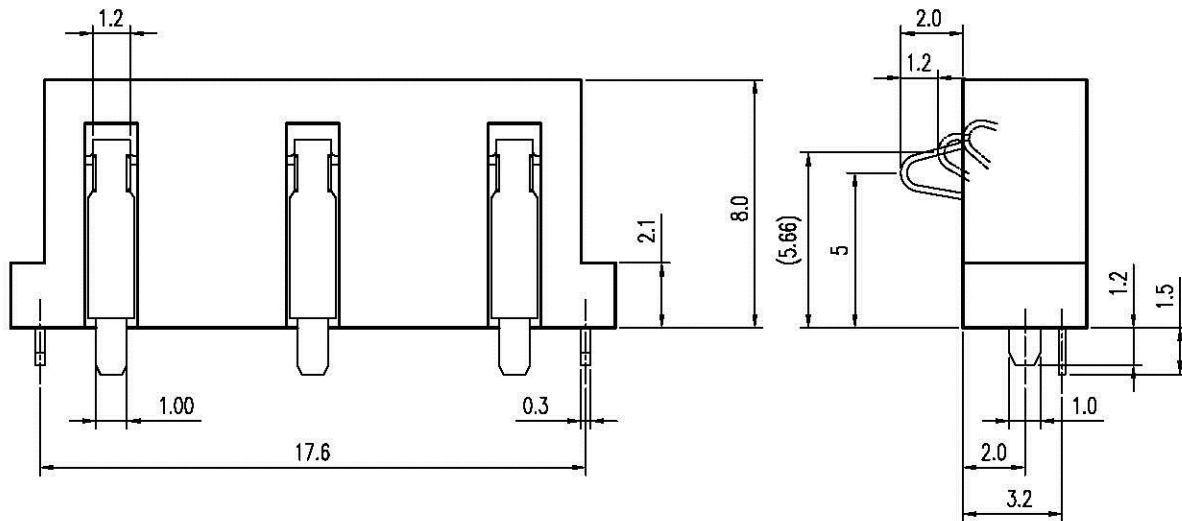


REV.	DESCRIPTION	ECN NO.	DATE	DRAWER
A	New Release		10/20/2009	Tom
B	Part No. $\triangle$ x 2	EC0912004	12/03/2009	Tom



**Recommended P.C.B. Layout**  
Layout Tolerance =  $\pm 0.05$  mm



**Notes:**

- Material :**  
Housing : Thermoplastic UL 94V-0 , Black  
Terminal : Copper Alloy  
Leach : Copper Alloy
- Finish :**  
Terminal : Selected Gold on Contact Area,  
50u" Min. Ni Under-plated Overall  
Leach : 100u" Tin over 50u" Ni Under-plated
- Order Information :** TSN1-02300-03 X X A

**Packing**

- T: Tube
- R: Reel

**Contact Area Plating :**

- 3u" Gold on Contact Area.
- 5u" Gold on Contact Area.

DIMENSION IN mm [inch]	
Tolerance unless otherwise specified	
X. $\pm 0.38$	X.' $\pm \text{---}$ '
X.X $\pm 0.25$	X.X' $\pm \text{---}$ '
X.XX $\pm 0.20$	X.XX' $\pm \text{---}$ '
X.XXX	X.XXX' $\pm$

**Allconnectors**

www.allconnectors.de  
info@allconnectors.de  
Tel.: 0949 711 7003963  
20794 Fildorfsfeld - Germany  
Fax: 0949 711 7009901  
Kettnerw. 25

**CUSTOMER DRAWING**

Approver: \_\_\_\_\_

Checker: \_\_\_\_\_

Drawer: **Tom**

12/03/2009

Title	6.5mm Pitch Spring Pin Conn.	
Dwg No.	TSN1-02300-03XXA $\triangle$	Scale: 4 : 1
File No.	P09027	Size: A 4
		Rev : B
		Sheet: 1 / 1