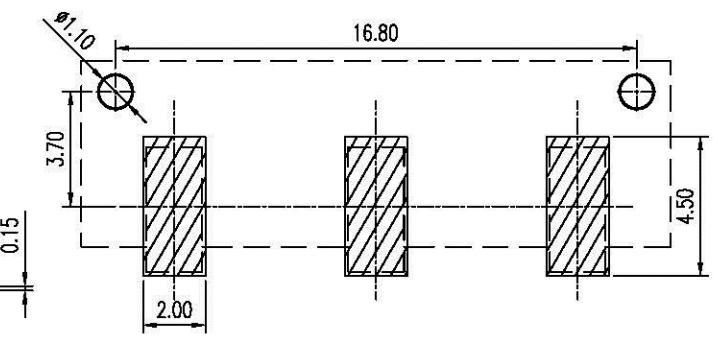
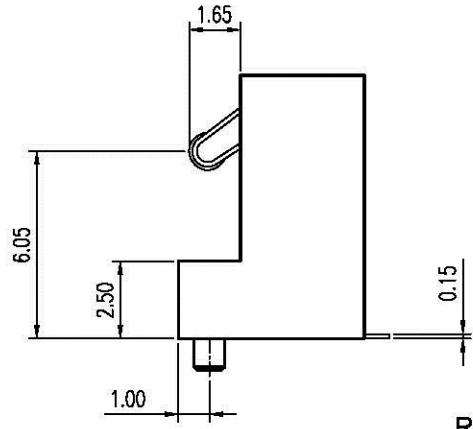
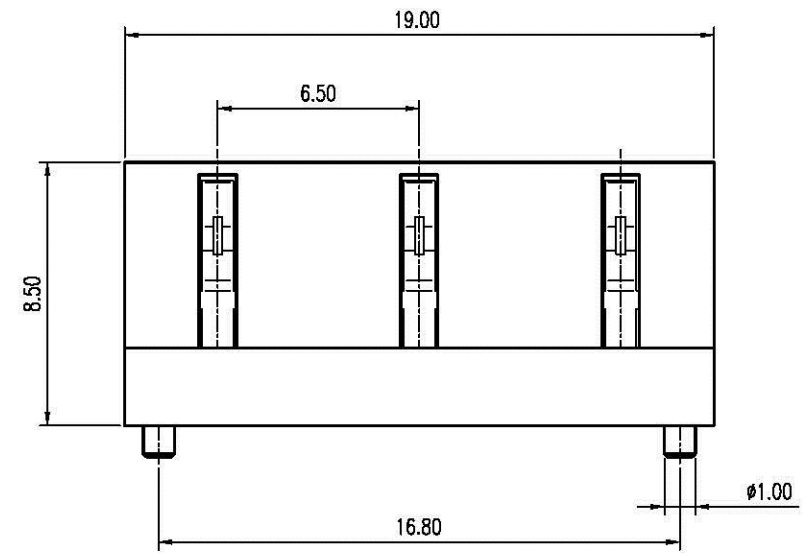
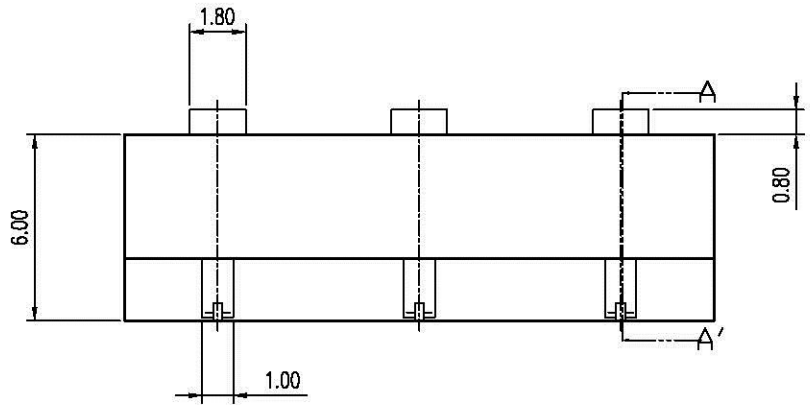


| REV. | DESCRIPTION | ECN NO. | DATE | DRAWER |
|------|-------------|---------|------------|--------|
| A | New Release | | 08/13/2008 | Steven |



Recommended P.C.B Layout for Component Side.
P.C.B Thickness = 1.00mm ± 0.05

Notes:

1. Material :
Housing : Thermoplastic UL 94V-0, Black
Terminal : Copper Alloy
2. Finish : Gold Flash Overall, 50u" Min. Ni Under Gold Plating.
3. Order Information :
T: SN1-02200-03T X

T: RoHS(for High Temperature)

Plating

- 1 : Gold Flush
- 2 : 2u" Min. Gold on Contact Area
- 3 : 5u" Min. Gold on Contact Area
- 5 : 15u" Min. Gold on Contact Area
- 8 : 30u" Min. Gold on Contact Area

| | | | | | | | |
|--------------------------------------|------------|---|--|--|--|--------------------------------|--|
| DIMENSION IN mm [inch] | | All Connectors | | Title 6.5mm Pitch Battery Conn. Male Type | | | |
| Tolerance unless otherwise specified | | www.allconnectors.com Tel: 0042 / 33 4001243 20794 Pilsenstr. Germany | | Info@allconnectors.com Tel: 0042 / 33 4005044 info@mcwtr.com | | Scale: 4 : 1 | |
| X. ± 0.38 | X.' ± 10' | CUSTOMER DRAWING | | | | Dwg No. TSN1-02200-03TX | |
| X.X ± 0.25 | X.X' ± 5' | | | | | File No. P07107 | |
| X.XX ± 0.15 | X.XX' ± 2' | Approver: | | Checker: | | Rev : A | |
| X.XXX ± | X.XXX' ± | | | | | Sheet: 1 / 1 | |