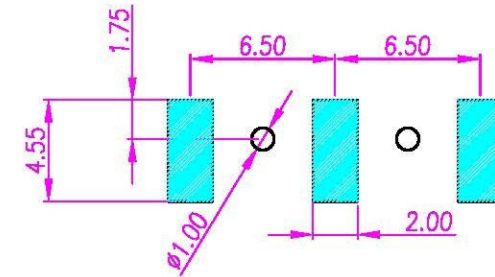
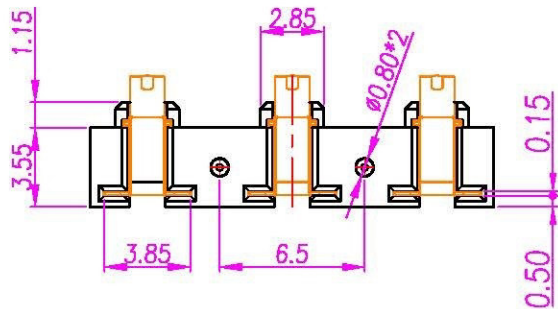
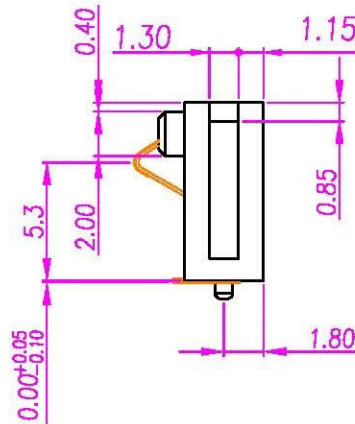
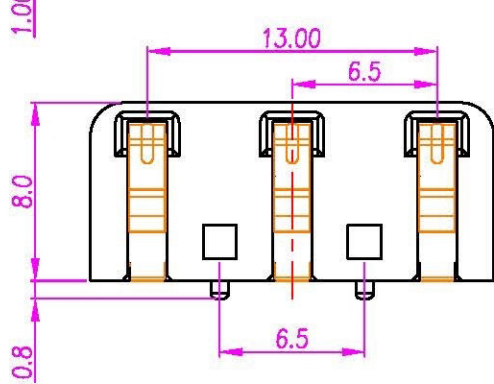
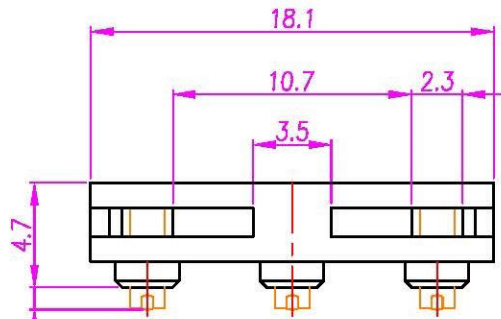


This document is the property of Nan-Yeong Corporation and is delivered on the express condition that it is not to be disclosed, reproduced or used, in whole or in part, for manufacture or sale by anyone other than Nan-Yeong Corporation without its prior consent, and that no right is granted to disclose or to use any information in this document.

CUSTOMER DRAWING

REV.	DESCRIPTION	APPROVED BY	DATE	ECN NO.
A	RELEASE	Enly Suen	13/03/09*	
B				
C				



RECOMMENDED PCB LAYOUT

NOTE:

1.MATERIAL:

- 1-1 CONTACT: BERYLLIUM COPPER
- 1-2 HOUSING:LCP
- 1-3 PLATING:CONTACT GOLD 30u" REMNANT GOLD FLASH

2.ELECTRICAL REQUIREMENTS:

- 2-1 RATED CURRENT(PER CONTACT):1.0 AMPS CONTINUOUS
- 2-2 RATED VOLTAGE(PER CONTACT):200 VAMS AT SEA LEVA
- 2-3 INSULATION RESISTANCE(I.R.):8 MEGAOHMS Min.
- 2-4 CONTACT RESISTANCE(PER CONTACT) Max: 50 MILLIOHMS.

3.GENERAL REQUIREMENTS:

- 3-1 OPERATING TEMPERATURE RANGE:-40°C TO +85°C
- 3-2 STORAGE TEMPERATURE RANGE:-40°C TO +100°C
- 3-3 HUMIDITY RANGE:10%RH TO 80%RH

DRAWN	Sony	APP'D		UNIT	mm	TOLERANCE	x ±0.10 xx ±0.05 xxx ±0.03 xxxx ±0.01	ANGULA	±1°	TITLE	3PIN 间距=5 H=2.00mm			SHEET	1
CHK'D	Enly Suen			SCALE	1:1					PART NO.	HD-03F2-12	DWG NO.	QC3088	VERSION	A
										www.allconnectors.com TEL: 0049 711 7009003 70794 Tillerstedt - Germany					
										info@allconnectors.com FAX: 0049 711 7009004 keller@allconnectors.com					