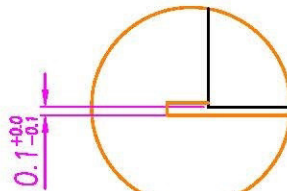
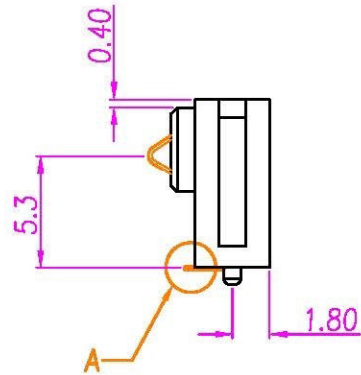
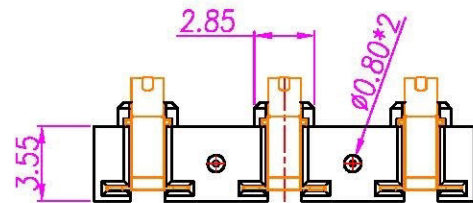
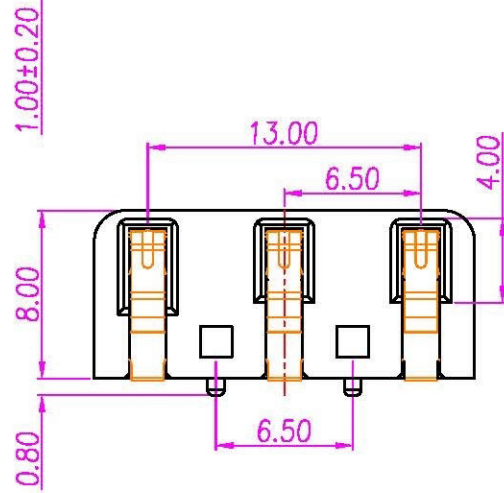
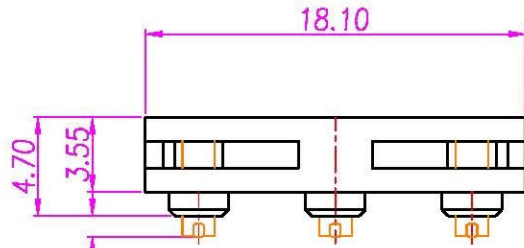


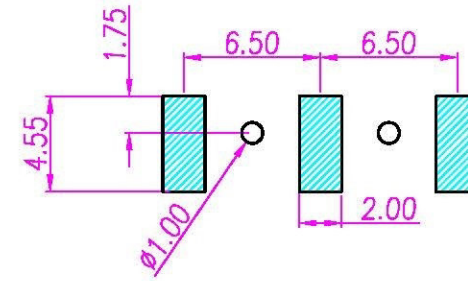
This document is the property of Nan-Yeong Corporation and is delivered on the express condition that it is not to be disclosed, reproduced or used, in whole or in part, for manufacture or sale by anyone other than Nan-Yeong Corporation without its prior consent, and that no right is granted to disclose or to use any information in this document.

# CUSTOMER DRAWING

REV.	DESCRIPTION	APPVL. BY	DATE	ECN NO.
A	RELEASE	Fido Weng	03/04/09	
B				
C				



VIEW A SCALE 4:1



RECOMMENDED PCB LAYOUT

TABLE A

HO-03F2-06	3P 壳 2 (LCP)
HO-03F2-03	3P 壳 2 (PA9T)
P/N	DESCRIPTION

- MATERIAL :
  - HOUSING : LCP UL94V-0 ; COLOR : BLACK
  - CONTACT A : BERYLLIUM BRONZE
  - GROUND : BRASS
- FINISH :
  - CONTACT A : 30 MICRO INCHES MIN. GOLD PLATED  
UNDER PLATE : NICKEL
  - GROUND : BRIGHT NICKEL 60u" ~ 100u" OVER ALL
- ELECTRICAL SPECIFICATION :
  - Rated current : 1.0A
  - Voltage : 125V
- Environmental :
  - Operation Temperature : -40°C ~ 105°C

DRAW	Ren Liao	APPVL	Fido Weng	UNIT	mm	TOLERANCE	All connectors		TITLE	3PIN 壳 2	SHEET				
CHECK	Emily Suen			SCALE	1:1	X ±0.20 XX ±0.10 XXX ±0.05 XXXX ±0.03 ANGULA ±1°		www.allconnectors.de Tel: 0049 711 7004503 42781 Hilderstact - Germany	Info:R@allconnectors.de Fax: 0049 711 7004504 Keckemerstr. 25	PART NO.	TABLE A	DWG NO.	QC1996	VERSION	A