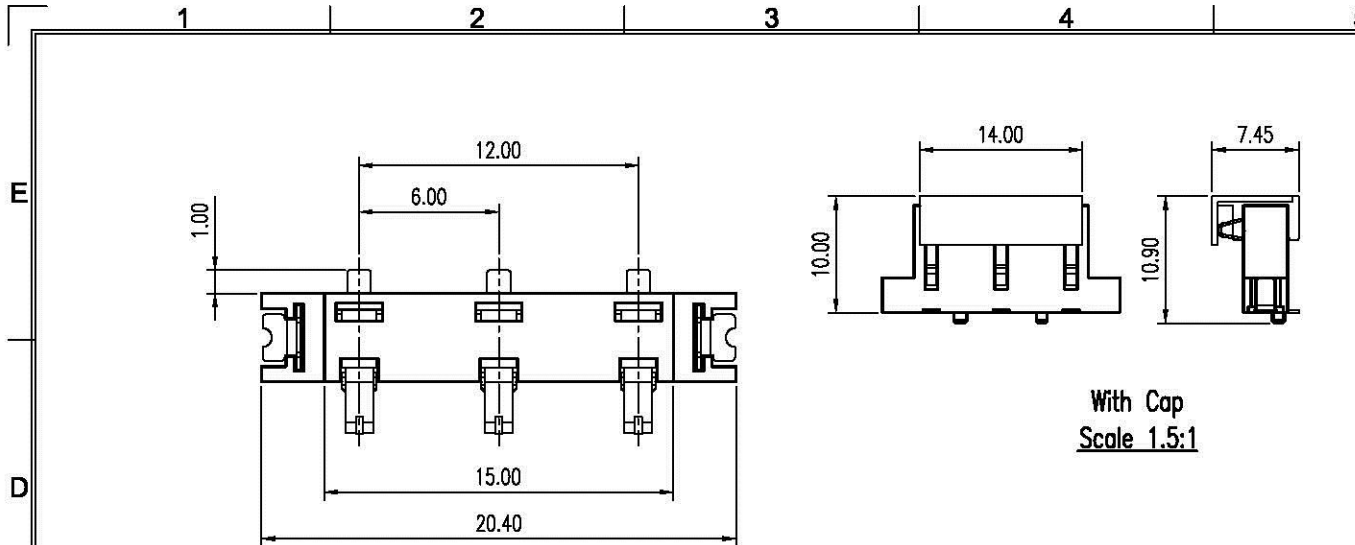


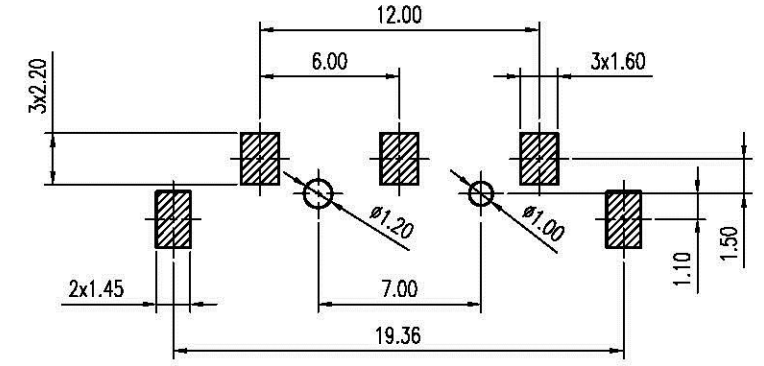
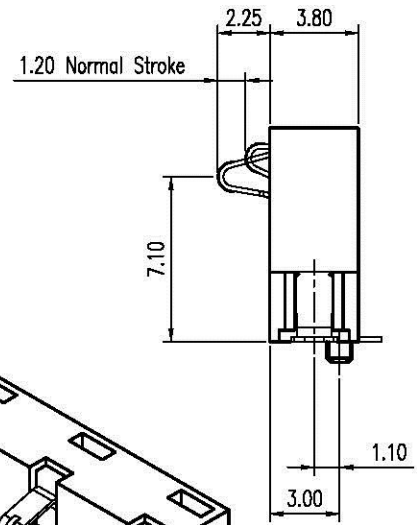
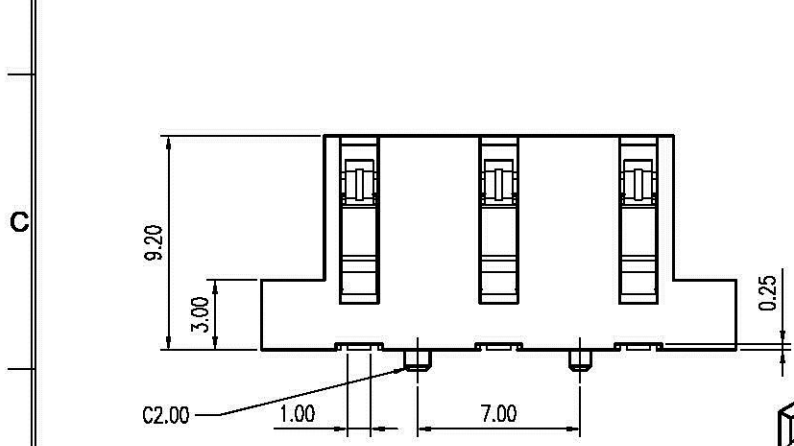
REV.	DESCRIPTION	ECN NO.	DATE	DRAWER
A	New Released		01/11/2010	Steven



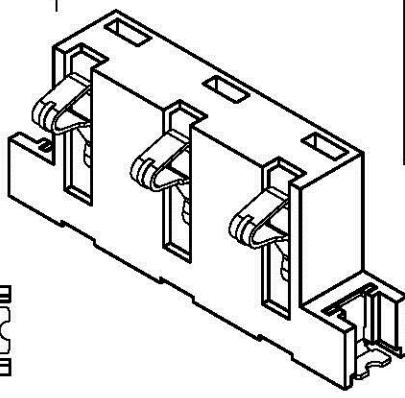
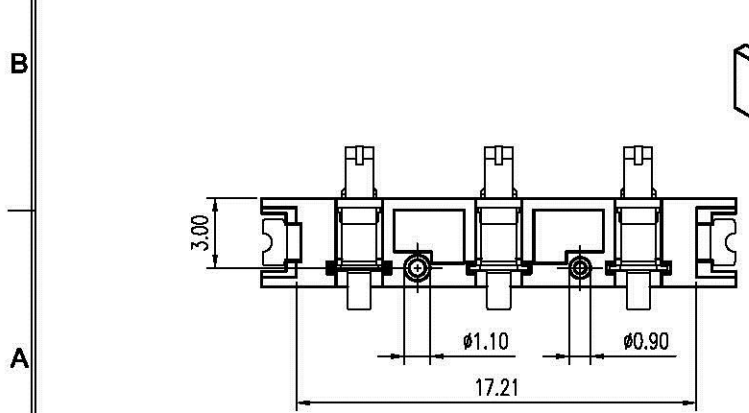
With Cap
Scale 1.5:1

- Notes:
- Material :
Housing : Thermoplastic UL 94V-0
Terminal : Copper Alloy
Fork : Copper Alloy
 - Finished :
Terminal : Selected Gold on Contact Area, Gold Flash on Solder Tails, Both over 40u" Min. Ni Under-plated Overall
Fork : Tin Plating overall 50u" Min., Ni 50u" Min. Under-plated Overall.
 - Order Information :
TSN1-06100-03 X X A

- Packing**
- T : Tube
 - 1 : Tube + Cap
 - 2 : Reel + Cap
- Plating**
- 2 : 3u" Min. Gold on Contact Area
 - 3 : 5u" Min. Gold on Contact Area



Recommended P.C.B. Layout
Layout Tolerance = ± 0.05 mm



DIMENSION IN mm [inch]		Allconnectors		Title 6.0mm Pitch Battery Conn. Male Type	
Tolerance unless otherwise specified		www.allconnectors.com T: +49 45 711 209005 F: +49 45 711 209004 Kettlerstr. 25		Dwg No. TSN1-06100-03XXA	
X. ±	X.' ± 10'	CUSTOMER DRAWING		File No. PO9042	
X.X ± 0.38	X.X' ± 5'			Scale: 3 : 1	
X.XX ± 0.25	X.XX' ± 2'			Size: A 4	
X.XXX ± 0.13	X.XXX' ±	Approver:		Drawer: Steven	
		Checker:		01/11/2010	

	Scale: 3 : 1
	Size: A 4
	Rev : A
	Sheet: 1 / 1