

REV.	DESCRIPTION	ECN NO.	DATE	DRAWER
A	New Release		10/05/2007	Meili
B	Added Plating $\Delta$ B x1	EC1007027	07/09/2010	Steven

**Notes:**

- Material :  
 Housing : Thermoplastic UL 94V-0, Black  
 Terminal : Copper Alloy  
 Fork : Copper Alloy  
 CAP : Thermoplastic UL 94V-0, Black
- Finish :  
 Terminal : Selected Gold on Contact Area, Gold Flash on Solder Tails, Both over 50u" Min. Ni Under-plated Overall  
 Fork : 1u" Min. Gold over 50u" Min. Ni
- Order Information :

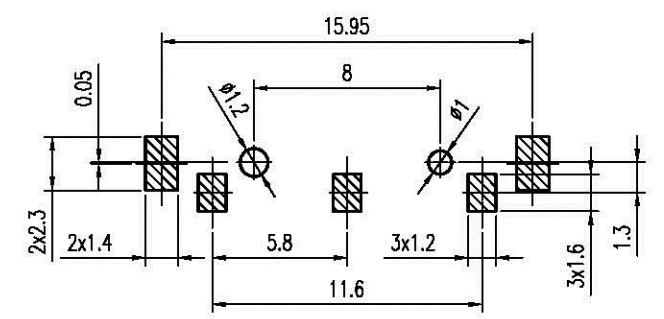
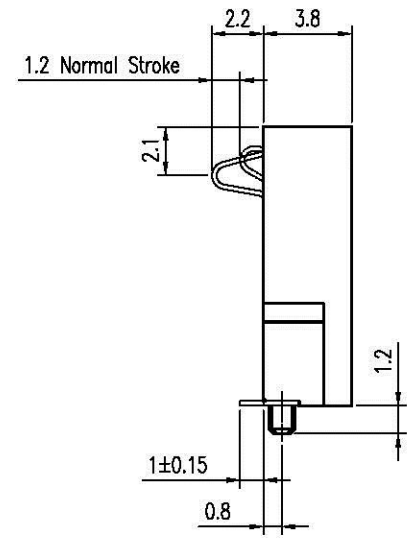
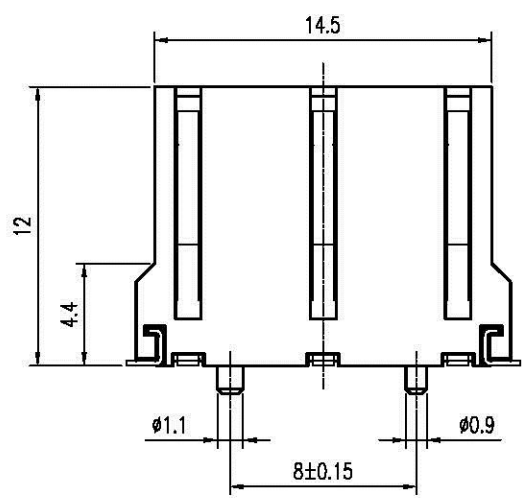
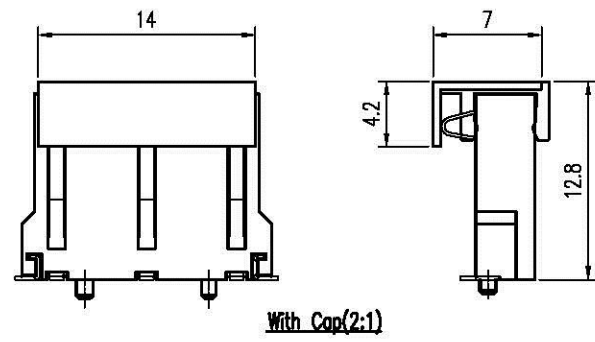
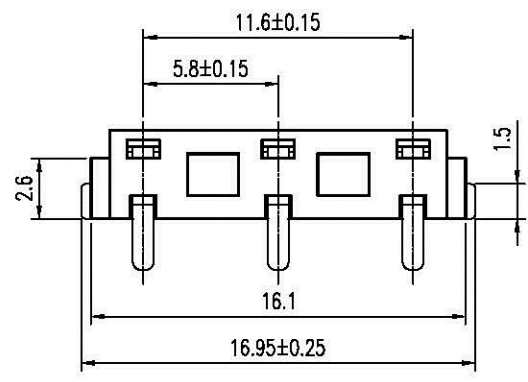
TSN1-03100-03 X X

Plating

- T : Tube
- 1 : Tube + CAP
- 2 : Reel + CAP

Plating

- 1 : Gold Flash
- $\Delta$ B 3 : 5u" Min. Gold on Contact Area
- 4 : 10u" Min. Gold on Contact Area



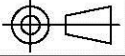
Recommended P.C.B. Layout  
 Layout Tolerance = ± 0.05 mm

DIMENSION IN mm [inch]	
Tolerance unless otherwise specified	
X. ± 0.38	X.' ± 10'
X.X ± 0.20	X.X' ± 5'
X.XX ± 0.13	X.XX' ± 2'
X.XXX ±	X.XXX' ±

**Allconnectors**  
 www.allconnectors.de  
 Tel: 0049 711 700363  
 70794 Filderstadt - Germany  
 info@allconnectors.de  
 Fax: 0049 711 700364  
 Kellernstraße 25

**CUSTOMER DRAWING**

Approver: \_\_\_\_\_  
 Checker: \_\_\_\_\_

Title	5.8mm Pitch Spring Battery Conn.	
Dwg No.	TSN1-03100-03XX	
File No.	P07012	Scale: 3 : 1
Approver:	Checker:	Size: A 4
Drawer: Steven	07/09/2010	Rev : B
		Sheet: 1 / 1