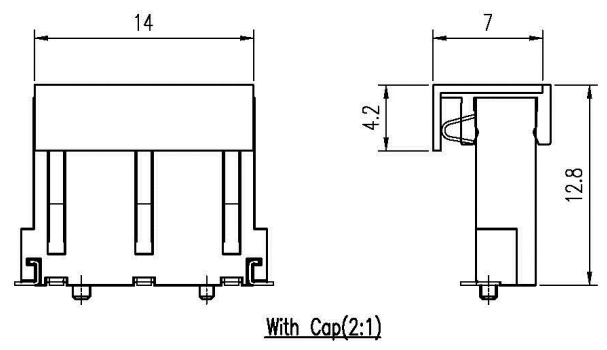
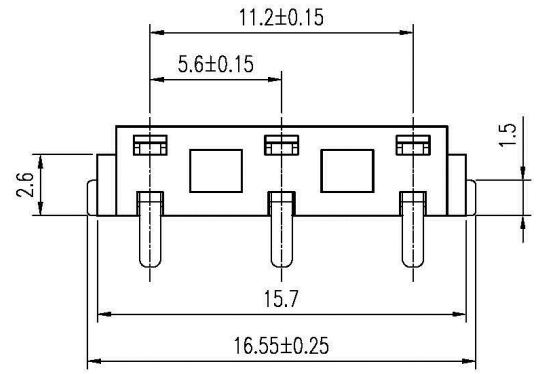
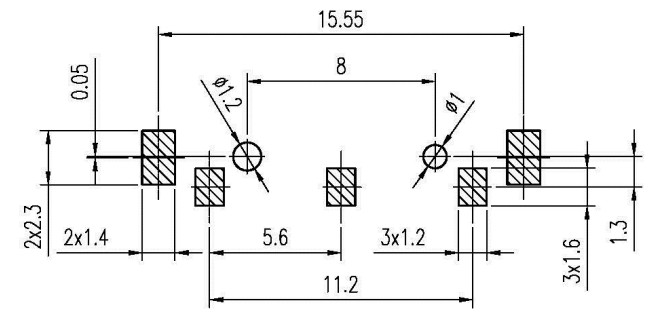
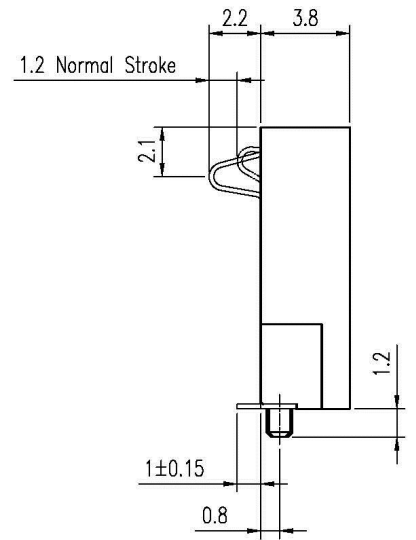
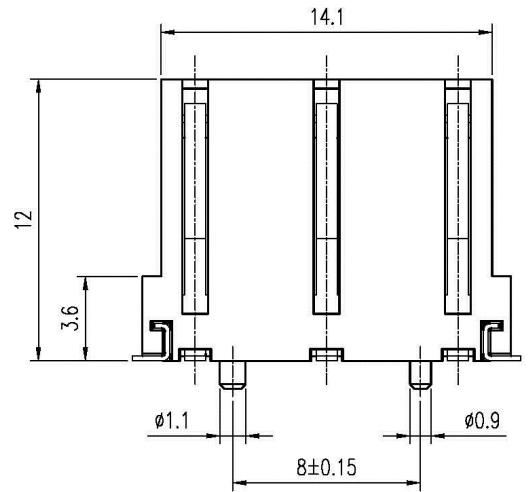


REV.	DESCRIPTION	ECN NO.	DATE	DRAWER
A	New Release		05/11/2006	Meill
B	Modified Part No	EC0609021	09/18/2006	Jeff



- Notes:
- Material :
 Housing : Thermoplastic UL 94V-0, Black
 Terminal : Copper Alloy
 Fork : Copper Alloy
 CAP : Thermoplastic UL 94V-0, Black
 - Finish :
 Terminal : Selected Gold on Contact Area, Gold Flash on Solder Tails, Both over 50u" Min. Ni Under-plated Overall
 Fork : 1u" Min. Gold over 50u" Min. Ni
 - Order Information :
 TSN1-01100-03 X X
- Plating
- 1 : Tube + CAP
 2 : Reel + CAP
- Plating
- 1 : 1u" Min. Gold on Contact Area
 4 : 10u" Min. Gold on Contact Area



Recommended P.C.B. Layout
 Layout Tolerance = ± 0.05 mm

DIMENSION IN mm [inch]		All connectors	Title 5.6mm Pitch Spring Battery Conn.	Scale: 3 : 1
Tolerance unless otherwise specified				
X.	± 0.38	X.*	± 10'	CUSTOMER DRAWING
X.X	± 0.20	X.X*	± 5'	
X.XX	± 0.13	X.XX*	± 2'	
X.XXX	±	X.XXX*	±	
Appraver:		Checker:		Drawer: Jeff
				09/18/2006
				Sheet: 1 / 1