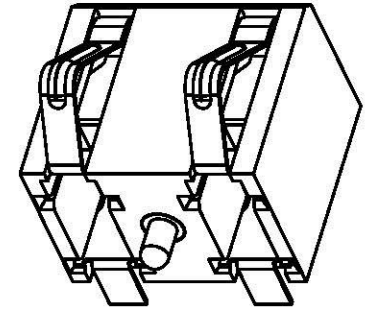
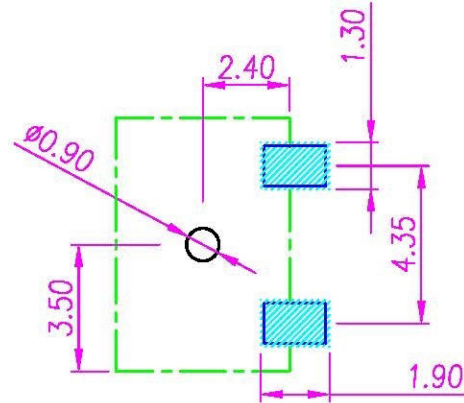
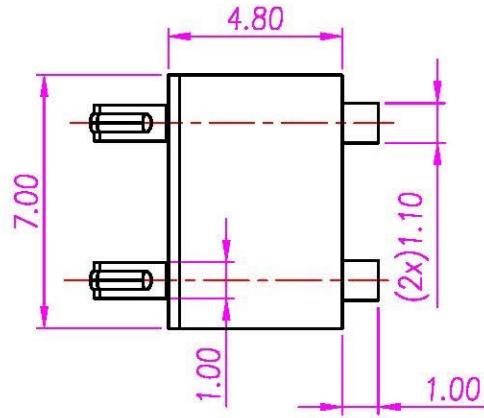


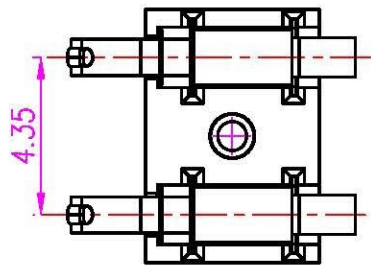
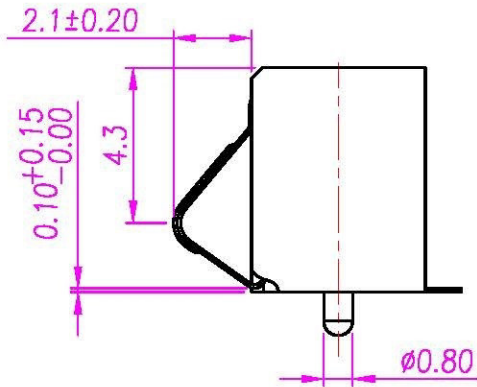
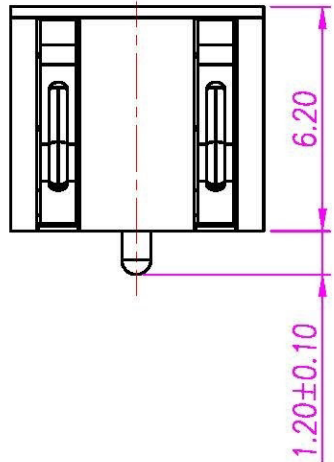
This document is the property of Nan-Yeong Corporation and is delivered on the express condition that it is not to be disclosed, reproduced or used, in whole or in part, for manufacture or sale by anyone other than Nan-Yeong Corporation without its prior consent, and that no right is granted to disclose or to use any information in this document.

# CUSTOMER DRAWING

REV.	DESCRIPTION	APPROVED BY	DATE	ECN NO.
A	RELEASE	Fido Weng	22/12/08	
B				
C				



## RECOMMENDED PC BOARD LAYOUT



- MATERIAL :
  - 1-1. HOUSING : LCP ; COLOR : BLACK
  - 1-2. CONTACT : PHOSPHOR BRONZE(C5210)
  - 1-3. GROUNG TERMINAL : BRASS
- FINISH :
  - 2-1. CONTACT : CONTACT AREA : GOLD 5u"
    - OTHER AREA : GOLD FLASH OVER ALL
    - UNDERPLATED : NICKEL 60u"
  - 2-2. GROUNG TERMINAL : NICKEL 60u"

DRAWN	Jen Xie	APP'D	Fido Weng	UNIT	mm	TOLERANCE			TITLE	2PIN 電插		
CHK'D	Emily Suen			SCALE	1:1	.x ±0.20 .xx ±0.10 .xxx ±0.05 .xxxx ±0.03 ANGULA ±1°			PART NO.	HD-02F2-01		DWG NO.

[www.allconnectors.com](http://www.allconnectors.com)  
 TEL: 0049 711 4005403 FAX: 0049 711 4005404  
 All Connectors GmbH Kettelerstr. 25  
 40734 Hilden, Germany